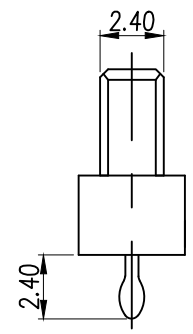
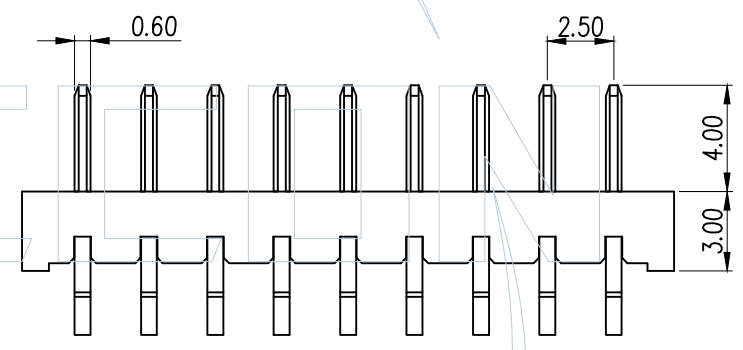
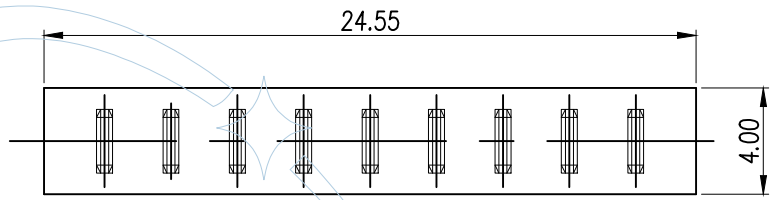




Notes:
 1. Material:
 Housing: Thermoplastic UL 94V-0 , Black
 Contact: Copper Alloy
 2. Finish: Plating Gold
 3. Specification
 Current Rating: 7A
 Instant Current: 10A
 Contact Resistance: 30m Ω
 Insulation Resistance: 100M Ω
 Dielectric Voltage: 500V
 Operating Temperature: -40° C ~105° C
 4. Order Information:



Recommended P.C.Board Layout
 Layout Tolerance: ±0.05 mm

Ordering Information

BBMC25-70 XX XX S X T 2

No. of Pins
03-08

Contact Plating
 G0=Gold Flash
 G1=3u"Gold
 G2=5u"Gold
 G3=10u"Gold
 G4=15u"Gold
 G5=30u"Gold

6=PAGT
 L=LCP



ITEM	Pitch	Mating
Standard	2.5	BBFC25
Alternate		

REV	DATE	MODIFICATION DESCRIPTION	CHANGE	APPROVE	ENGINEERING		DRAW	SCALE	FREE	PART NO. BBMC25-70XXXXXT1	TITLE: 2.5mm刀片电池座母座 H=7.0 W=4.0	Customer NO.	Dongguan YILI Electronic Technology Co., Ltd Tel: FAX: E-mail: http:// www.ylconn.cn
					X.X	±0.40							
					X.XX	±0.25	CHECK	SIZE	A3				
					X.XXX	±0.15	APPROVE	SHEET	1/1				
					Angle	± 3°		PROJ.	⊕ ⊗				
					DIM	TOL							