



Notes:
 1. Material:
 Housing: Thermoplastic UL 94V-0 , Black
 Contact: Copper Alloy
 2. Finish: Plating Gold
 3. Specification
 Current Rating: 7A
 Instant Current: 10A
 Contact Resistance: 30m Ω
 Insulation Resistance: 100M Ω
 Dielectric Voltage: 500V
 Operating Temperature: -40° C ~105° C
 4. Order Information:

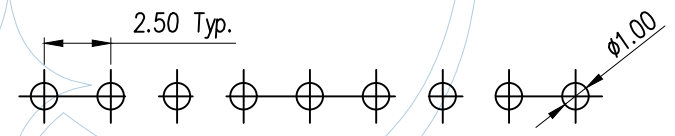
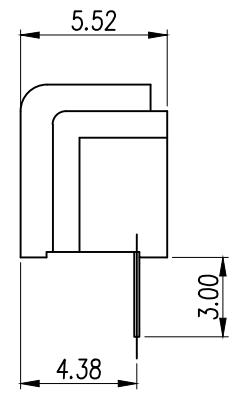
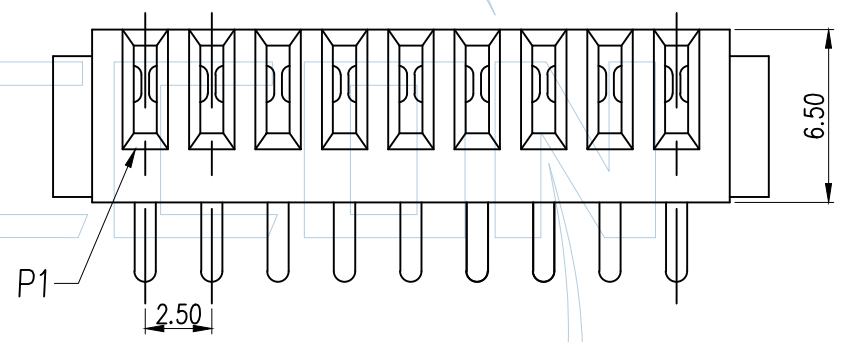
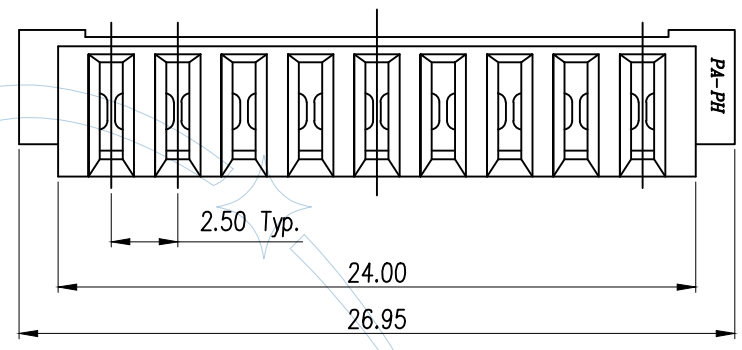
Ordering Information

BBFC25-65 XX XX S X T 2

No. of Pins
03-08

Contact Plating
 G0=Gold Flash
 G1=3u"Gold
 G2=5u"Gold
 G3=10u"Gold
 G4=15u"Gold
 G5=30u"Gold

6=PAGT
 L=LCP



Recommended P.C.Board Layout
 Layout Tolerance: ± 0.05 mm

ITEM	Pitch	Mating
Standard	2.5	BBMC25
Alternate		

REV	DATE	MODIFICATION DESCRIPTION	CHANGE	APPROVE

ENGINEERING		DRAW	SCALE	FREE	PART NO. BBFC25-65XXXXXT2
X.X	±0.40				
X.XX	±0.25	DESIGN	UNIT	mm	TITLE: 2.5mm刀片电池座母座 H=6.5 W=5.5
X.XXX	±0.15	CHECK	SIZE	A3	
Angle	± 3°	APPROVE	SHEET	1/1	Customer NO.
DIM	TOL		PROJ.	⊕ ⊗	

YLCCON
 Dongguan YILI Electronic Technology Co., Ltd

Tel:
 FAX:
 E-mail:
[http:// www.ylconn.cn](http://www.ylconn.cn)