

HF



RoHS

NOTES:

1. Material:

Housing: Thermoplastic UL 94V-0, Black  
Terminal: Copper Alloy

2. Finish: Plating Gold

3. Specification

Current Rating: 1A Max./Pin

Voltage Rating: 30V Max.

Contact Resistance: 50m ohm Max.

Insulation Resistance: 1000M ohm Min.

Dielectric Voltage: 500V

Operating Temperature: -20° C ~ 80° C

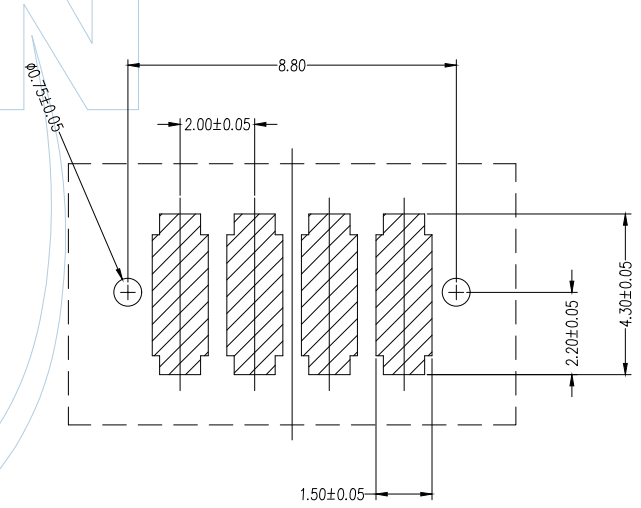
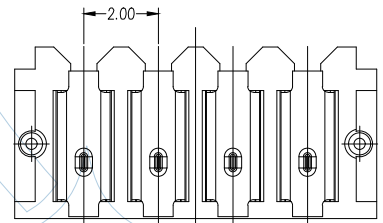
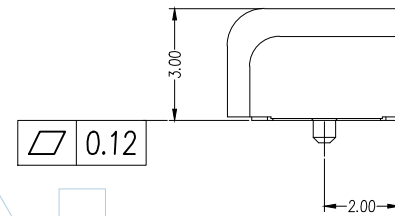
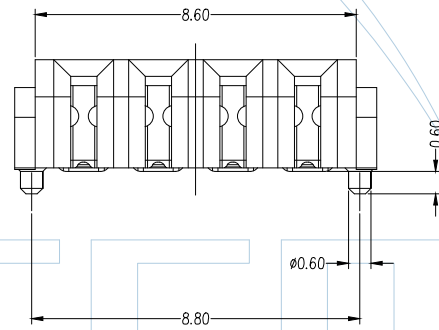
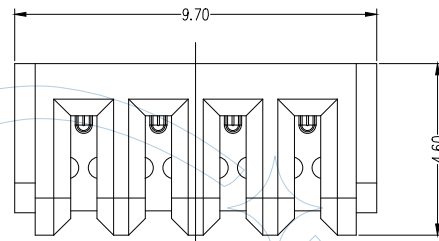
4. Order information:

Ordering Information

BBF915-30 XX XX M L R 2

No. of Pins  
03-08

Contact Plating  
G0=Gold Flash  
G1=3u"Gold  
G2=5u"Gold  
G3=10u"Gold  
G4=15u"Gold  
G5=30u"Gold



Recommended P.C.Board Layout  
Layout Tolerance: ±0.05mm

ITEM	Pitch	Mating
Standard	2.0	BBF915
Alternate		

						ENGINEERING	DRAW											
						X.X	±0.40											
						X.XX	±0.25	DESIGN										
						X.XXX	±0.15	CHECK										
						Angle	± 3°											
REV	DATE	MODIFICATION DESCRIPTION			CHANGE	APPROVE	DIM	TOL	APPROVE									


SCALE	FREE	PART NO.
UNIT	mm	BBF915-30XXXXMLR2
SIZE	A3	TITLE: 2.0mm刀片电池座 H=3.0 W=4.6 立贴带柱卷装
SHEET	1/1	Customer NO.
PROJ.		

**YLCCON**  
Dongguan YILI Electronic Technology Co., Ltd

Tel:  
FAX:  
E-mail:  
[http:// www.ylconn.cn](http://www.ylconn.cn)