



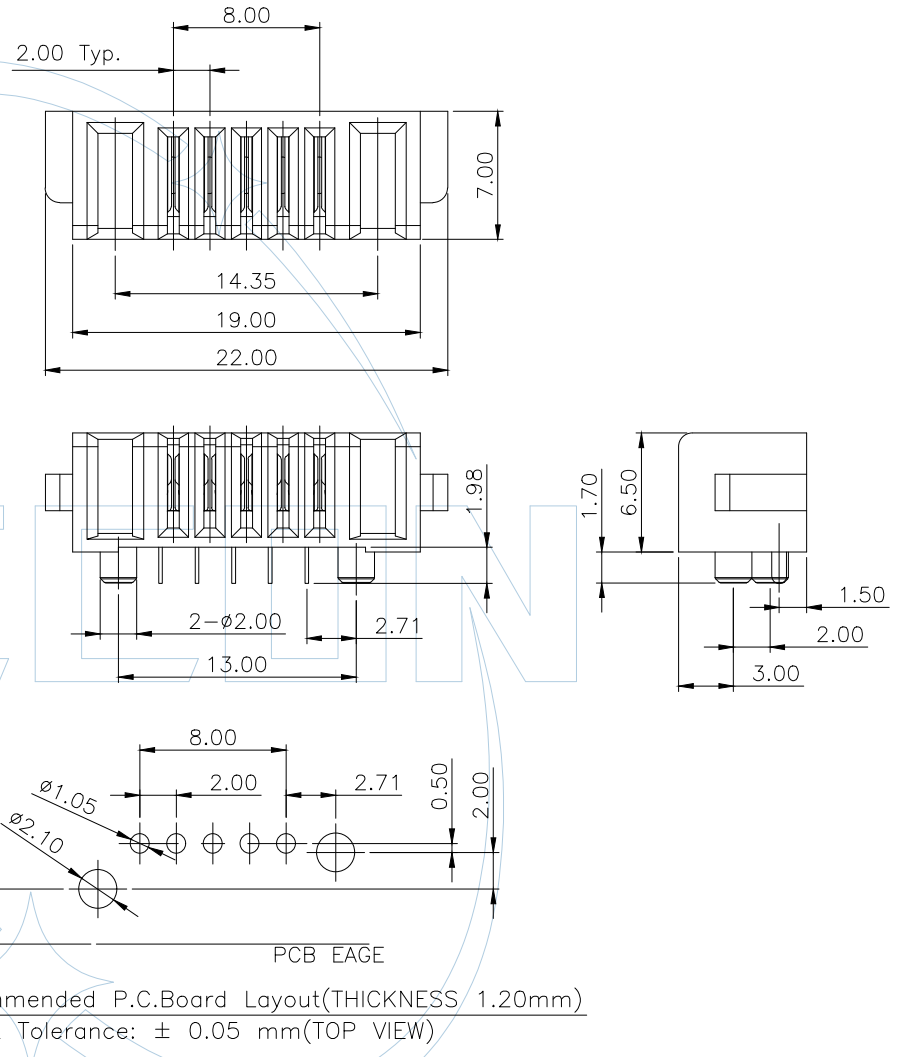
Notes:
 1. Material:
 Housing: Thermoplastic UL 94V-0 , Black
 Contact: Copper Alloy
 2. Finish: Plating Selective Gold
 3. Specification
 Current Rating: 7A
 Instant Current: 10A
 Contact Resistance: 30mΩ
 Insulation Resistance: 100MΩ
 Dielectric Voltage: 500V
 Operating Temperature: -40° C ~105° C
 4. Order Information:

Ordering Information

BBF917-65 XX XX S L R 2

No. of Pins
03-08

Contact Plating
 G0=Gold Flash
 G1=3u"Gold
 G2=5u"Gold
 G3=10u"Gold
 G4=15u"Gold
 G5=30u"Gold



ITEM	Pitch	Mating
Standard	2.0	BBF914
Alternate		

				ENGINEERING		DRAW		SCALE	FREE	PART NO. BBF917-65XXXXSLR2		
				X.X	±0.40	DESIGN		UNIT	mm	TITLE: 2.0mm刀片电池座 H=6.5 W=7.0		
				X.XX	±0.25	CHECK		SIZE	A3	Customer NO.		H
				X.XXX	±0.15	APPROVE		SHEET	1/1			
REV	DATE	MODIFICATION DESCRIPTION		CHANGE	APPROVE	DIM TOL		PROJ.				