

HF



RoHS



NOTES:

1. Material:

Housing:Thermoplastic UL 94V-0, Black
Terminal:Copper Alloy

2. Finish:Plating Gold

3. Specification

Current Rating: 1A Max./Pin
Voltage Rating: 30V Max.
Contact Resistance: 50m ohm Max.
Insulation Resistance: 1000M ohm Min.
Dielectric Voltage: 500V
Operating Temperature:-20° C ~ 80° C

4. Order information:

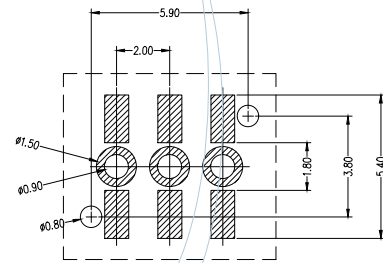
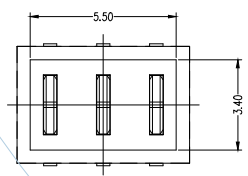
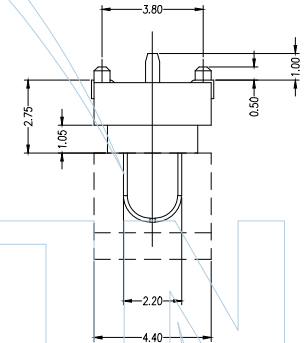
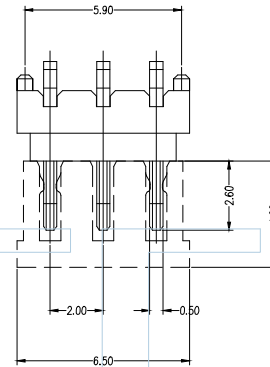
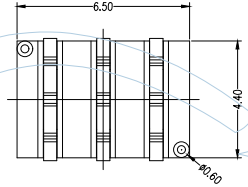
Ordering Information

BBMC20-27 XX XX M L R 2

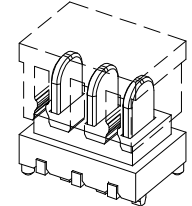
No. of Pins
03-08

Contact Plating
G0=Gold Flash
G1=3u"Gold
G2=5u"Gold
G3=10u"Gold
G4=15u"Gold
G5=30u"Gold

9=PA9T
L=LCP



Recommended P.C.Board Layout
Layout Tolerance: ±0.05mm



ITEM	Pitch	Mating
Standard	2.0	BBFC20
Alternate		

REV	DATE	MODIFICATION DESCRIPTION	CHANGE	APPROVE

ENGINEERING		DRAW	SCALE	FREE	PART NO. BBMC20-27XXXXMLR2
X.X	±0.40				
X.XX	±0.25	DESIGN	UNIT	mm	TITLE: 2.0mm刀片电池座公座 H=2.7 W=4.4
X.XXX	±0.15	CHECK	SIZE	A3	
Angle	± 3°	APPROVE	SHEET	1/1	Customer NO.
DIM	TOL		PROJ.	☒ ☒	

SCALE	FREE
UNIT	mm
SIZE	A3
SHEET	1/1
PROJ.	☒ ☒

YLCCON
Dongguan YILI Electronic Technology Co., Ltd

Tel:
FAX:
E-mail:
<http://www.ylconn.cn>