



NOTES:

- 1. Material:  
Housing: Thermoplastic UL 94V-0 , Black  
Contact: Copper Alloy
- 2. Finish:Plating Gold
- 3. Specification  
Current Rating: 7.0A Max.  
Instant Current: 10.0A Max.  
Contact Resistance: 30m ohm Max.  
Insulation Resistance:100M ohm Min.  
Dielectric Voltage: 500V  
Operating Temperature:-40° C ~ 105° C
- 4. Order information:

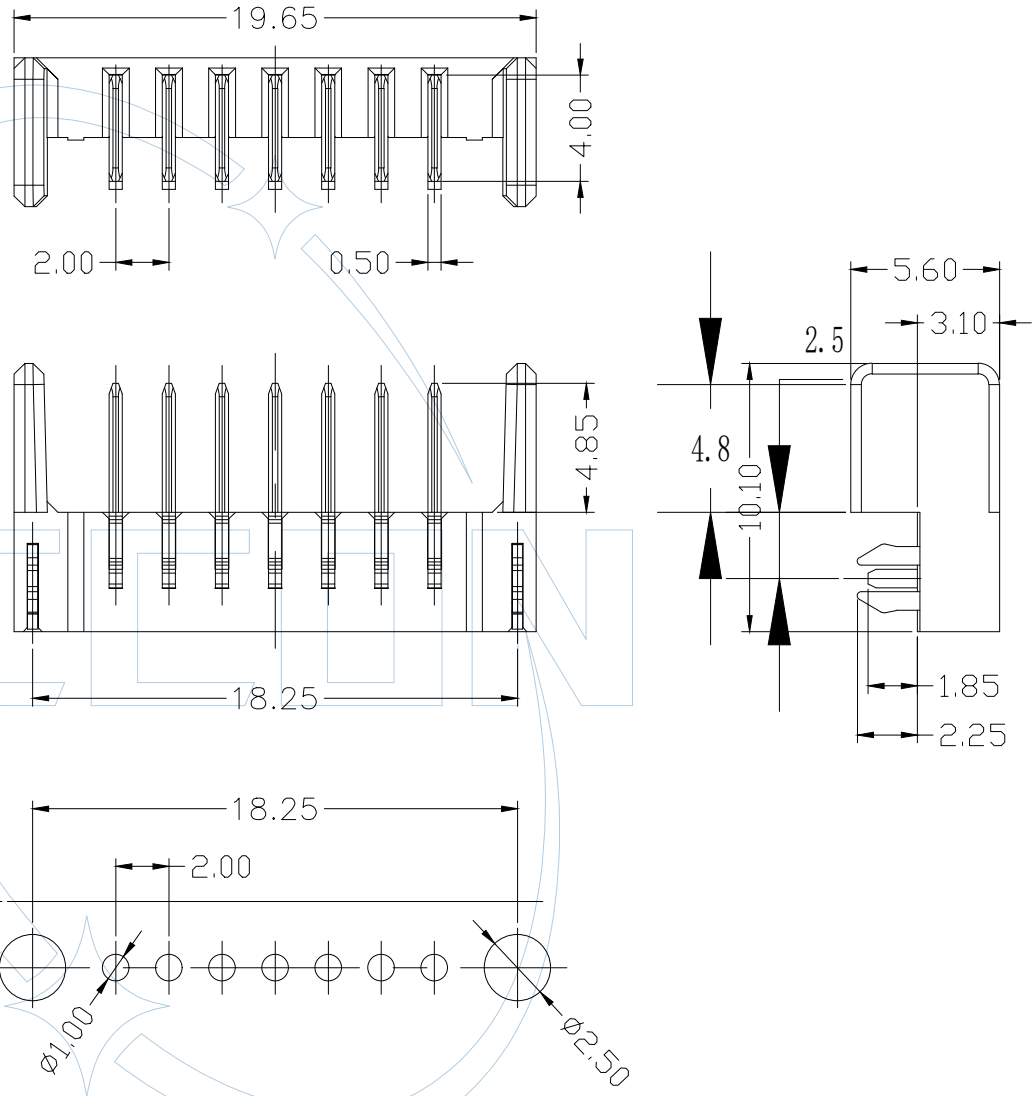
Ordering Information

BBMC23-10 XX XX R X T 2

No. of Pins  
03-08

Contact Plating  
G0=Gold Flash  
G1=3u"Gold  
G2=5u"Gold  
G3=10u"Gold  
G4=15u"Gold  
G5=30u"Gold

9=PA9T  
L=LCP



ITEM	Pitch	Mating
Standard	2.0	BBFC20
Alternate		

				ENGINEERING		DRAW		SCALE	FREE	PART NO. BBMC23-10XXXXRXT2		 Dongguan YILI Electronic Technology Co., Ltd
				X.X	±0.40	DESIGN		UNIT	mm	TITLE: 2.0mm刀片电池座公座 H=10.1 W=5.6		
				X.XX	±0.25	CHECK		SIZE	A3	Customer NO.		Tel: FAX: E-mail: <a href="http://www.ylconn.cn">http:// www.ylconn.cn</a>
				X.XXX	±0.15	APPROVE		SHEET	1/1			
REV	DATE	MODIFICATION DESCRIPTION		CHANGE	APPROVE	DIM	TOL	PROJ.				