

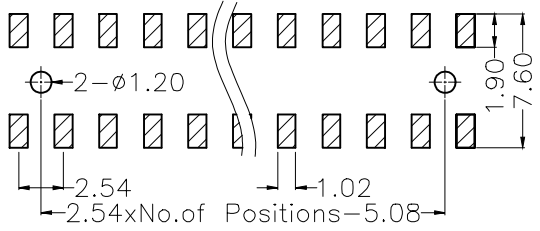
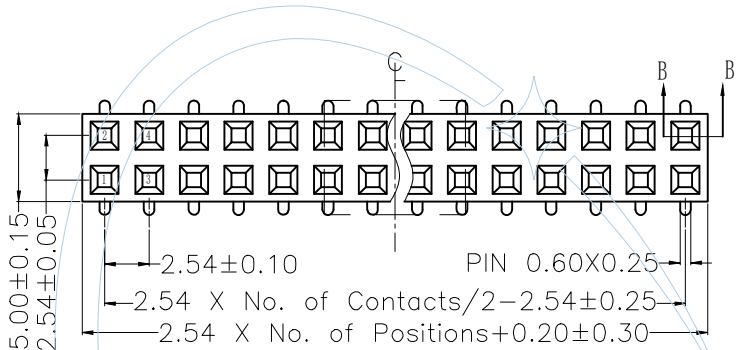
HF



Recommended P.C.B Layout(TOP Side)  
(PCB BOARD TOLERANCE±0.05)

NOTES:  
Current Rating:.1.0AMP  
Withstand Voltage:1000V AC/DC  
Contact Resistance:20mΩ Max  
Insulation Resistance:1000MΩ Min  
Operation Temperature:-40℃ to +105℃

Contact Material:Phosphor Bronze or Brass  
Contact Plating:Au or Sn over Ni  
Insulator Material:PA6T/PA9T/LCP+30%G.F (UL94V-0)



### Ordering Information

FHB171-2 XX M XX 6UN X X

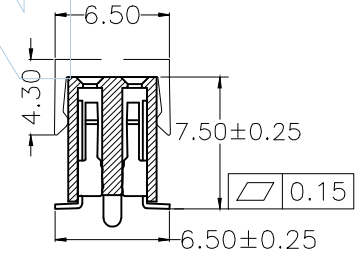
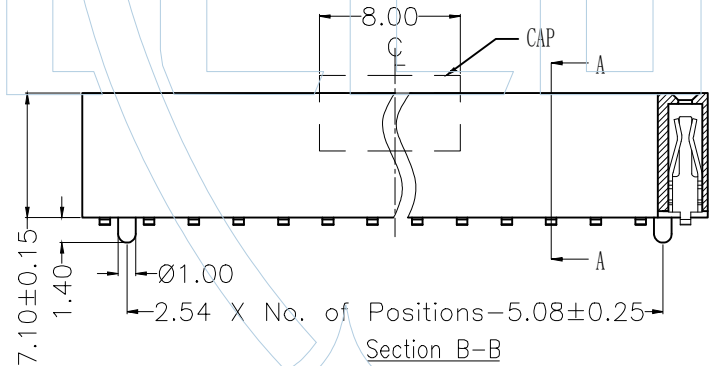
No. of Pins  
02-40

Contact Plating:  
G0=Gold Flash  
G1=3u"Gold  
G2=5u"Gold  
G3=10u"Gold  
G4=15u"Gold  
G5=30u"Gold  
S0=Gold Flash/Tin  
S1=3u"Gold/Tin  
S2=5u"Gold/Tin  
S3=10u"Gold/Tin  
S4=15u"Gold/Tin  
S5=30u"Gold/Tin  
SW=Tin

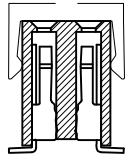
6=PA6T  
9=PA9T

Series No.  
1=Type1  
2=Type2

Packing  
T=Tube+Cap  
R=Tape&Reel+Cap



TYPE 2 WITH POST



TYPE 1 W\O POST

Section A-A

ITEM	Pitch	Mating
Standard	2.54	PHA125/PHA120/PHA115
Alternate		

REV	DATE	MODIFICATION DESCRIPTION	CHANGE	APPROVE

ENGINEERING		DRAW	SCALE	FREE	PART NO.
X.X	±0.40				
X.XX	±0.25	DESIGN	UNIT	mm	FHB171-2XXMXX6UNXX
X.XXX	±0.15		CHECK	SIZE	A3
Angle	± 3°	APPROVE		SHEET	1/1
DIM	TOL		PROJ.		

SCALE	FREE	PART NO.
UNIT	mm	FHB171-2XXMXX6UNXX
SIZE	A3	TITLE: 2.54mm排母 双排SMT H=7.1
SHEET	1/1	Customer NO.
PROJ.		

**YLCCON**  
Dongguan YILI Electronic Technology Co., Ltd

Tel:  
FAX:  
E-mail:  
[http:// www.ylccon.cn](http://www.ylccon.cn)