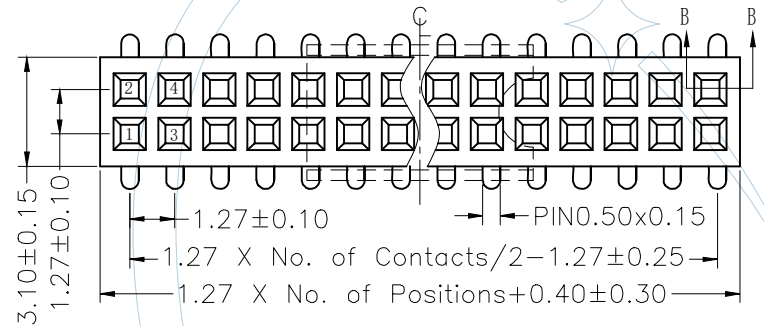
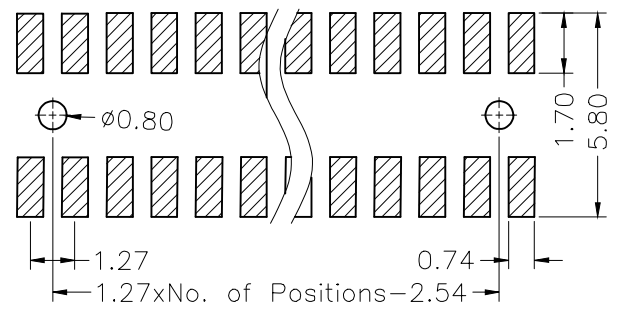




NOTES:  
 Current Rating: 1.0AMP  
 Withstand Voltage: 1000V AC/DC  
 Contact Resistance: 20mΩ Max  
 Insulation Resistance: 1000MΩ Min  
 Operation Temperature: -40°C to +105°C

Contact Material: Phosphor Bronze or Brass  
 Contact Plating: Au or Sn over Ni  
 Insulator Material: PA6T/PA9T/LCP+30%G.F (UL94V-0)

Recommended P.C.B Layout (Top Side)  
 (PCB BOARD TOLERANCE ±0.05)



### Ordering Information

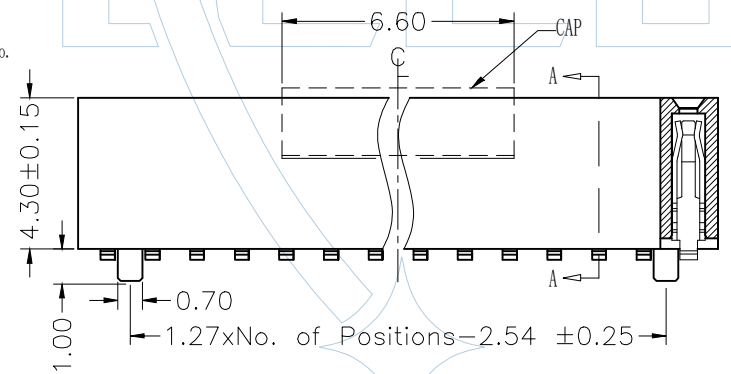
FHB343-2 XX M XX 6UN X X

No. of Pins  
02-40

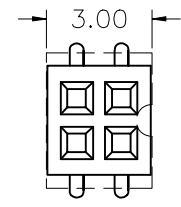
Contact Plating:  
 G0=Gold Flash  
 G1=3u"Gold  
 G2=5u"Gold  
 G3=10u"Gold  
 G4=15u"Gold  
 G5=30u"Gold  
 S0=Gold Flash/Tin  
 S1=3u"Gold/Tin  
 S2=5u"Gold/Tin  
 S3=10u"Gold/Tin  
 S4=15u"Gold/Tin  
 S5=30u"Gold/Tin  
 SW=Tin

6=PA6T  
 9=PA9T

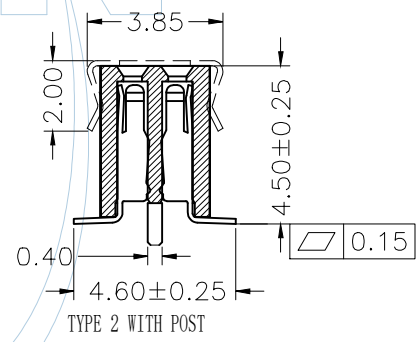
Series No.  
 1=Type1  
 2=Type2  
 Packing  
 T=Tube+Cap  
 R=Tape&Reel+Cap



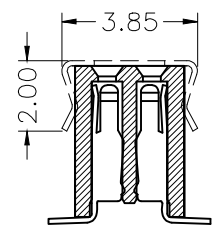
SECTION: B-B



Special CAP for 2\*2pin



SECTION: A-A



TYPE 1 WITHOUT POST

ITEM	Pitch	Mating
Standard	2.54	PHA325/BHC131
Alternate		

REV	DATE	MODIFICATION DESCRIPTION	CHANGE	APPROVE
1				

ENGINEERING		DRAW
X.X	±0.40	
X.XX	±0.25	
X.XXX	±0.15	
Angle	± 3°	
DIM	TOL	

SCALE	FREE	PART NO.		
			UNIT	mm
			SIZE	A3
			SHEET	1/1
			PROJ.	

FHB343-2XXMXX6UNXX
TITLE: 1.27mm 排母 双排 180° SMT H=4.3
Customer NO.

**YLCCON**  
 Dongguan YILI Electronic Technology Co., Ltd  
 Tel:  
 FAX:  
 E-mail:  
[http:// www.ylccon.cn](http://www.ylccon.cn)