

HF



NOTES:
 Current Rating: 1.0AMP
 Withstand Voltage: 500V AC/DC
 Contact Resistance: 20mΩ Max
 Insulation Resistance: 1000MΩ Min
 Operation Temperature: -40°C to +105°C

Contact Material: Phosphor Bronze or Brass
 Contact Plating: Au or Sn over Ni
 Insulator Material: PA6T/PA9T/LCP+30%G.F (UL94V-0)

Ordering Information

FHB321-2 XX M XX 6UN X X

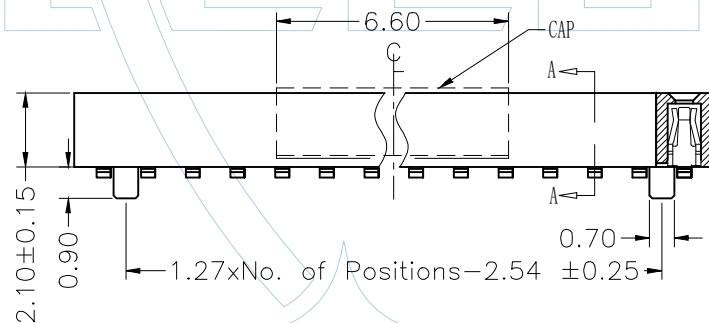
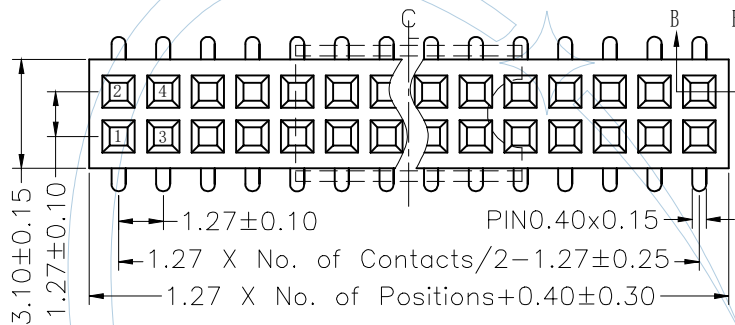
No. of Pins 02-40

Contact Plating:
 G0=Gold Flash
 G1=3u"Gold
 G2=5u"Gold
 G3=10u"Gold
 G4=15u"Gold
 G5=30u"Gold
 S0=Gold Flash/Tin
 S1=3u"Gold/Tin
 S2=5u"Gold/Tin
 S3=10u"Gold/Tin
 S4=15u"Gold/Tin
 S5=30u"Gold/Tin
 SW=Tin

6=PA6T
 9=PA9T

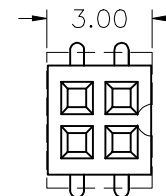
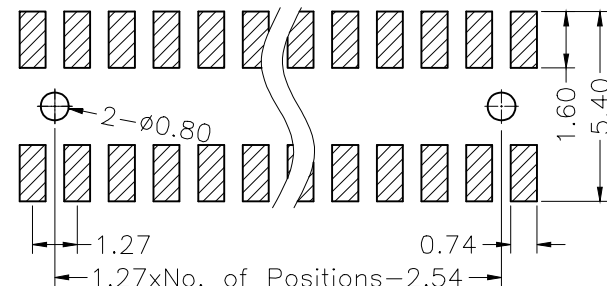
Packing
 T=Tube+Cap
 R=Tape&Reel+Cap

Series No.
 1=Type1
 2=Type2

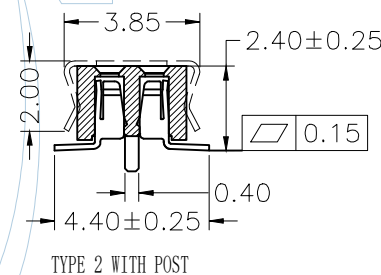


SECTION: B-B

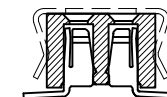
Recommended P.C.B Layout (Top Side)
 (PCB BOARD TOLERANCE ±0.05)



Special CAP for 2*2pin



SECTION: A-A



TYPE 1 WITHOUT POST

ITEM	Pitch	Mating
Standard	1.27	PHA325
Alternate		

TITEL	PART NO.
TYPE 1	FHB321-2XXMX6UNX1
TYPE 2	FHB321-2XXMX6UNX2

REV	DATE	MODIFICATION DESCRIPTION	CHANGE	APPROVE

ENGINEERING		DRAW	SCALE	FREE	PART NO.
X.X	±0.40				
X.XX	±0.25	DESIGN	UNIT	mm	TITLE: 1.27mm#母双排180° SMT H=2.1
X.XXX	±0.15	CHECK	SIZE	A3	
Angle	± 3°	APPROVE	SHEET	1/1	Customer NO.
DIM	TOL		PROJ.		

SCALE	FREE	PART NO.
UNIT	mm	FHB321-2XXMX6UNX2
SIZE	A3	TITLE: 1.27mm#母双排180° SMT H=2.1
SHEET	1/1	Customer NO.
PROJ.		

YLCCON
 Dongguan YILI Electronic Technology Co., Ltd
 Tel:
 FAX:
 E-mail:
[http:// www.ylccon.cn](http://www.ylccon.cn)