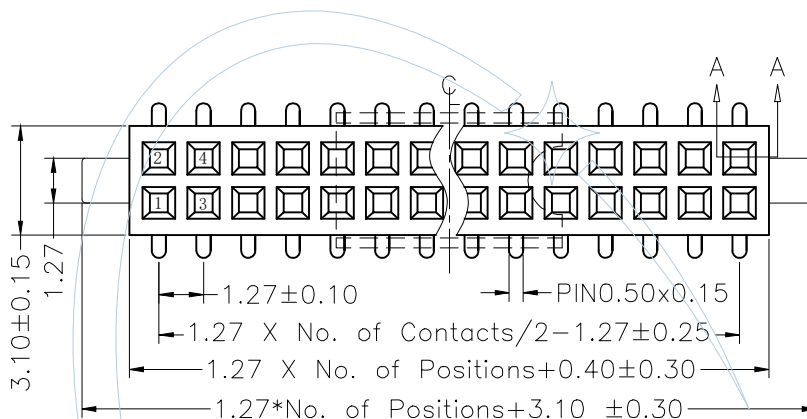


HF

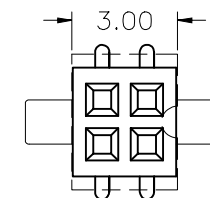
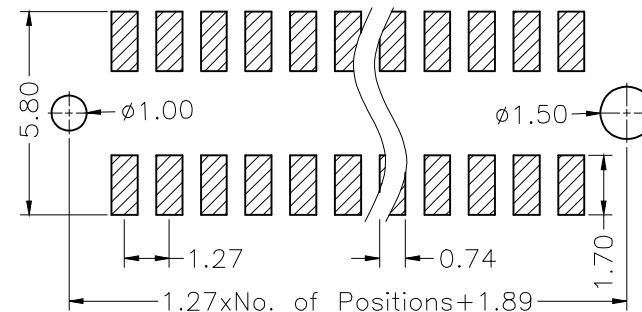


NOTES:
 Current Rating: 1.0AMP
 Withstand Voltage: 1000V AC/DC
 Contact Resistance: 20mΩ Max
 Insulation Resistance: 1000MΩ Min
 Operation Temperature: -40°C to +105°C

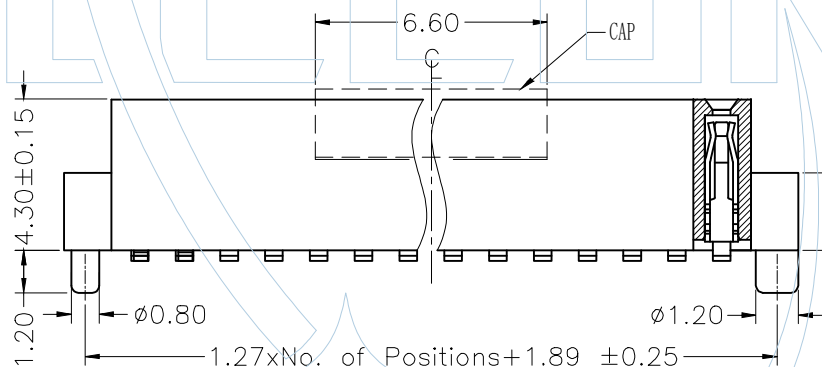
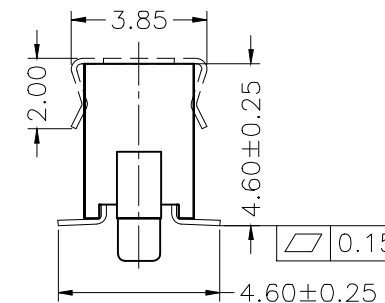
Contact Material: Phosphor Bronze or Brass
 Contact Plating: Au or Sn over Ni
 Insulator Material: PA6T/PA9T/LCP+30%G.F (UL94V-0)



Recommended P.C.B Layout (Top Side)
 (PCB BOARD TOLERANCE ±0.05)



Special CAP for 2*2pin



SECTION A-A

Ordering Information

FHB343-2 XX M XX 6UN X 3

No. of Pins
02-40

Contact Plating:
 G0=Gold Flash
 G1=3u"Gold
 G2=5u"Gold
 G3=10u"Gold
 G4=15u"Gold
 G5=30u"Gold
 S0=Gold Flash/Tin
 S1=3u"Gold/Tin
 S2=5u"Gold/Tin
 S3=10u"Gold/Tin
 S4=15u"Gold/Tin
 S5=30u"Gold/Tin
 SW=Tin

6=PA6T
 9=PA9T

Packing
 T=Tube+Cap
 R=Tape&Reel+Cap

ITEM	Pitch	Mating
Standard	2.54	PHA325/BHC131
Alternate		

				ENGINEERING		DRAW		SCALE		FREE		PART NO.	
				X.X	±0.40	DESIGN		UNIT		mm		FHB343-2XXMX6UNX3	
				X.XX	±0.25	CHECK		SIZE		A3		TITLE:	
				X.XXX	±0.15	APPROVE		SHEET		1/1		1.27mm 排母 双排 180° SMT H=4.3 外大小柱	
				Angle	± 3°			PROJ.		☑		Customer NO.	
REV	DATE	MODIFICATION DESCRIPTION		CHANGE	APPROVE								

YLCCON

Dongguan YILI Electronic Technology Co., Ltd

Tel:
 FAX:
 E-mail:
[http:// www.ylccon.cn](http://www.ylccon.cn)