



NOTES:  
 Current Rating: 1.0AMP  
 Withstand Voltage: 1000V AC/DC  
 Contact Resistance: 20mΩ Max  
 Insulation Resistance: 1000MΩ Min  
 Operation Temperature: -40°C to +105°C

Contact Material: Phosphor Bronze or Brass  
 Contact Plating: Au or Sn over Ni  
 Insulator Material: PA6T/PA9T/LCP+30%G.F (UL94V-0)

### Ordering Information

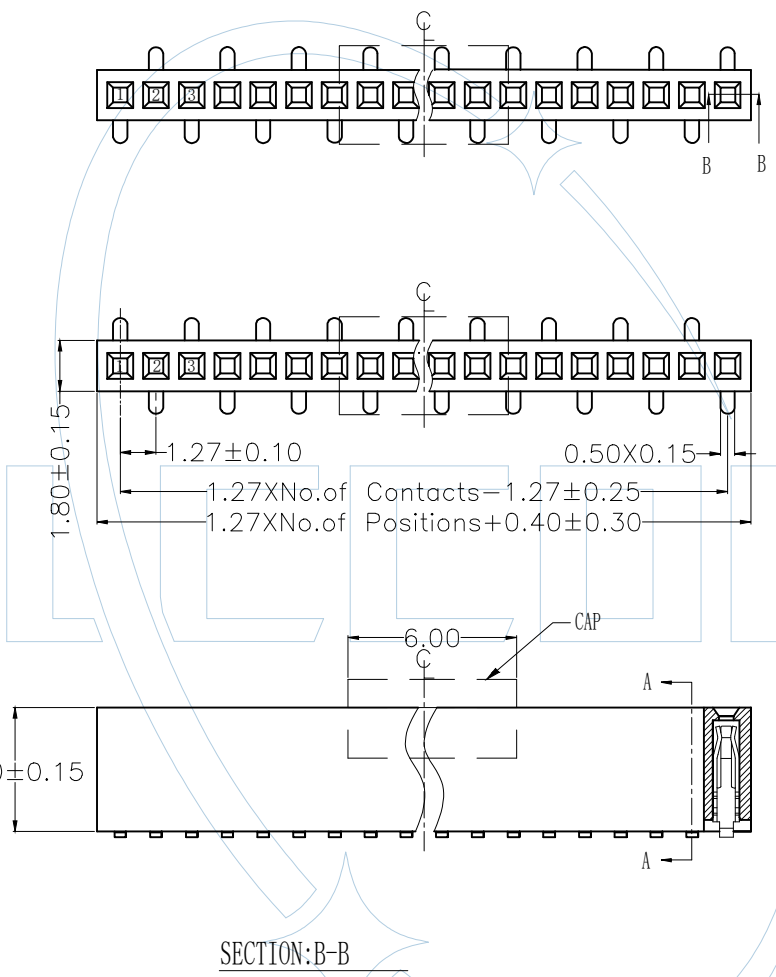
FHB343-1 XX M XX 6UN X X

No. of Pins: 02-40  
 Contact Plating:  
 G0=Gold Flash  
 G1=3u"Gold  
 G2=5u"Gold  
 G3=10u"Gold  
 G4=15u"Gold  
 G5=30u"Gold  
 S0=Gold Flash/Tin  
 S1=3u"Gold/Tin  
 S2=5u"Gold/Tin  
 S3=10u"Gold/Tin  
 S4=15u"Gold/Tin  
 S5=30u"Gold/Tin  
 SW=Tin

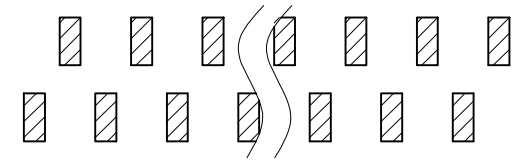
6=PA6T  
 9=PA9T

Series No.  
 1=Type1  
 2=Type2

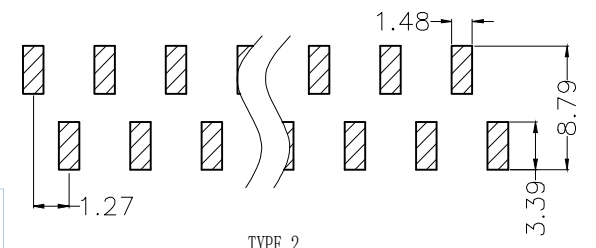
Packing  
 T=Tube+Cap  
 R=Tape&Reel+Cap



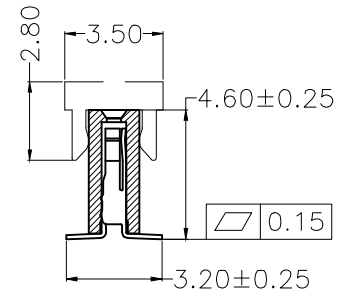
Recommended P.C.B Layout(TOP Side)  
 (PCB BOARD TOLERANCE±0.05)



TYPE 1



TYPE 2



SECTION:A-A

ITEM	Pitch	Mating
Standard	2.54	PHA325/BHC131
Alternate		

				ENGINEERING		DRAW		SCALE	FREE	PART NO.
				X.X	±0.40	DESIGN		UNIT	mm	FHB343-1XXMXX6UNXX
				X.XX	±0.25	CHECK		SIZE	A3	TITLE:
				X.XXX	±0.15	APPROVE		SHEET	1/1	1.27mm排母双排180° SMT H=4.3
				Angle	± 3°			PROJ.	☒	Customer NO.
REV	DATE	MODIFICATION DESCRIPTION	CHANGE	APPROVE	DIM	TOL				

**YLCCON**  
 Dongguan YILI Electronic Technology Co., Ltd

Tel:  
 FAX:  
 E-mail:  
[http:// www.ylcon.cn](http://www.ylcon.cn)