

HF



NOTES:
 Current Rating: 1.0AMP
 Withstand Voltage: 1000V AC/DC
 Contact Resistance: 20mΩ Max
 Insulation Resistance: 1000MΩ Min
 Operation Temperature: -40°C to +105°C

Contact Material: Phosphor Bronze or Brass
 Contact Plating: Au or Sn over Ni
 Insulator Material: PA6T/PA9T/LCP+30%G.F (UL94V-0)

Ordering Information

FHB150-1 XX W XX 6UN X X

No. of Pins
02-40

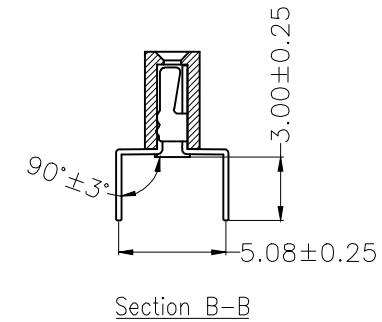
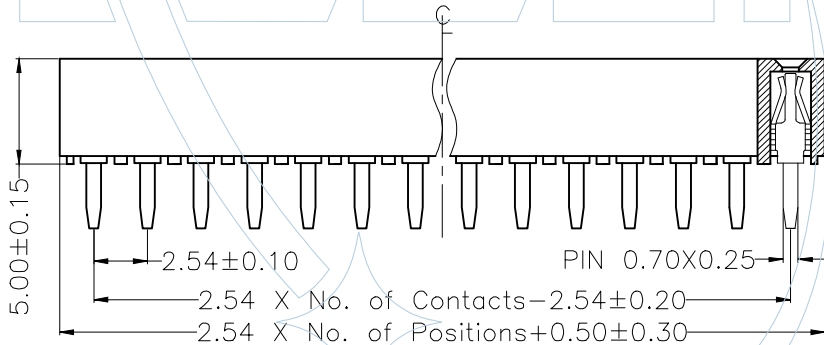
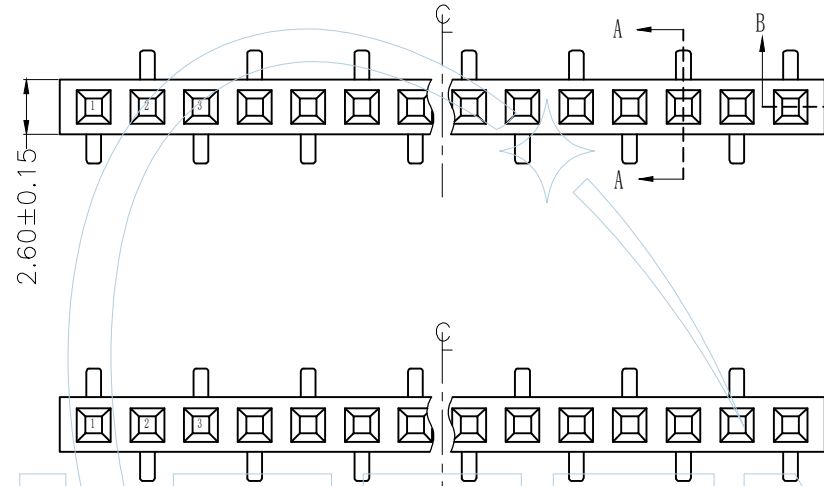
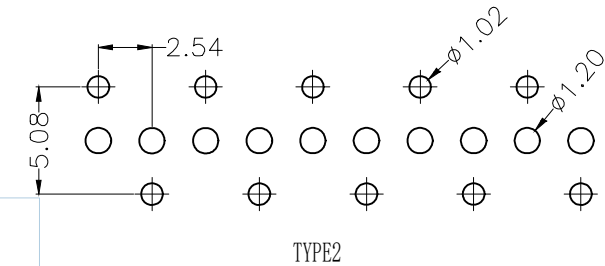
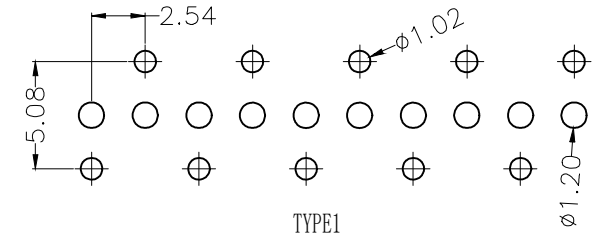
Contact Plating:
 G0=Gold Flash
 G1=3u"Gold
 G2=5u"Gold
 G3=10u"Gold
 G4=15u"Gold
 G5=30u"Gold
 S0=Gold Flash/Tin
 S1=3u"Gold/Tin
 S2=5u"Gold/Tin
 S3=10u"Gold/Tin
 S4=15u"Gold/Tin
 S5=30u"Gold/Tin
 SW=Tin

6=PA6T
9=PA9T

Packing
T=Tube

Series No.
1=Type1
2=Type2

Recommended P.C.B Layout(TOP Side)
 (PCB BOARD TOLERANCE±0.05)



Section A-A

ITEM	Pitch	Mating
Standard	2.54	PHA125/PHA120/PHA115
Alternate		

				ENGINEERING		DRAW		SCALE		FREE		PART NO.	
				X.X	±0.40	DESIGN		UNIT		mm		FHB150-1XXX6UNX1	
				X.XX	±0.25	CHECK		SIZE		A3		TITLE:	
				X.XXX	±0.15	APPROVE		SHEET		1/1		2.54mm排母单排蜈蚣脚 H=5.0	
				Angle	± 3°			PROJ.		☑		Customer NO.	
REV	DATE	MODIFICATION DESCRIPTION		CHANGE	APPROVE								

YLCCON

Dongguan YILI Electronic Technology Co., Ltd

Tel:
 FAX:
 E-mail:
<http://www.ylccon.cn>