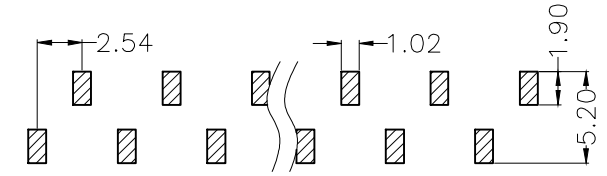
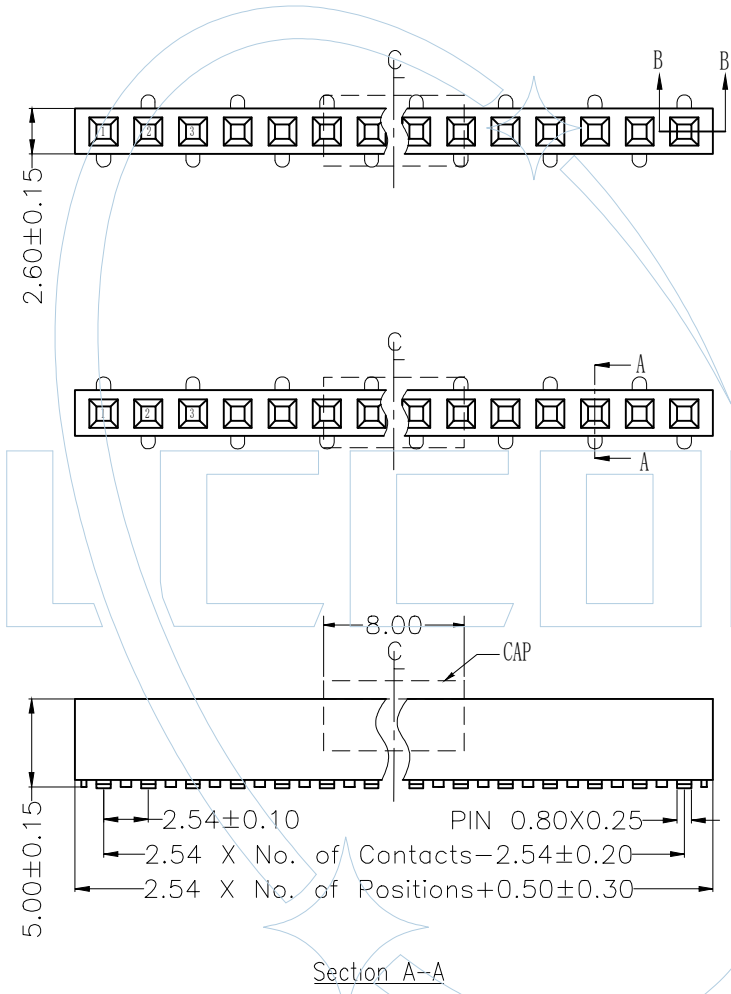




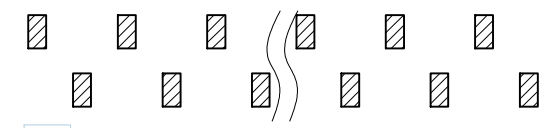
Recommended P.C.B Layout(TOP Side)
(PCB BOARD TOLERANCE±0.05)

NOTES:
Current Rating:.1.0AMP
Withstand Voltage:1000V AC/DC
Contact Resistance:20mΩ Max
Insulation Resistance:1000MΩ Min
Operation Temperature:-40℃ to +105℃

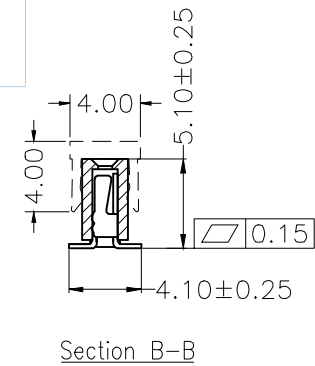
Contact Material:Phosphor Bronze or Brass
Contact Plating:Au or Sn over Ni
Insulator Material:PA6T/PA9T/LCP+30%G.F (UL94V-0)



TYPE 1



TYPE 2



Section B-B

Ordering Information

FHB150-1 XX M XX 6UN X X

No. of Pins 02-40

Contact Plating:
G0=Gold Flash
G1=3u"Gold
G2=5u"Gold
G3=10u"Gold
G4=15u"Gold
G5=30u"Gold
S0=Gold Flash/Tin
S1=3u"Gold/Tin
S2=5u"Gold/Tin
S3=10u"Gold/Tin
S4=15u"Gold/Tin
S5=30u"Gold/Tin
SW=Tin

6=PA6T
9=PA9T

Series No.
1=Type1
2=Type2

Packing
T=Tube+Cap
R=Tape&Reel+Cap

ITEM	Pitch	Mating
Standard	2.54	PHA125/PHA120/PHA115
Alternate		

				ENGINEERING		DRAW		SCALE	FREE	PART NO.
				X.X	±0.40	DESIGN		UNIT	mm	FHB150-1XXMXX6UNXX
				X.XX	±0.25	CHECK		SIZE	A3	TITLE:
				X.XXX	±0.15	APPROVE		SHEET	1/1	2.54mm排母双排180° SMT H=5.0
				Angle	± 3°			PROJ.	☑	Customer NO.
REV	DATE	MODIFICATION DESCRIPTION	CHANGE	APPROVE	DIM	TOL				

YLCCON
Dongguan YILI Electronic Technology Co., Ltd

Tel:
FAX:
E-mail:
[http:// www.ylcon.cn](http://www.ylcon.cn)