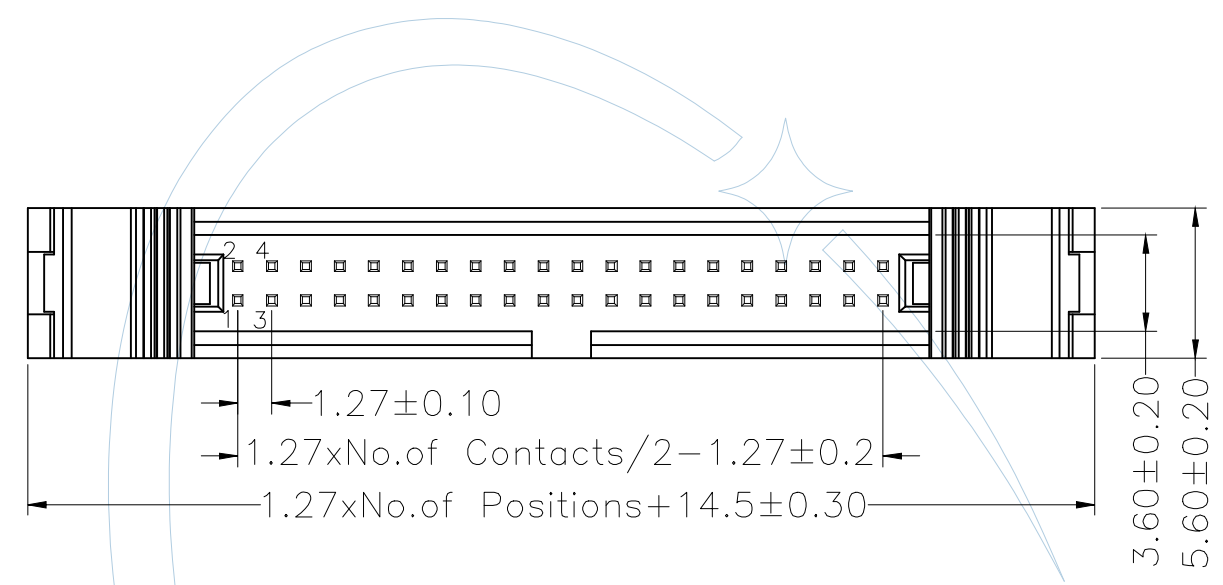
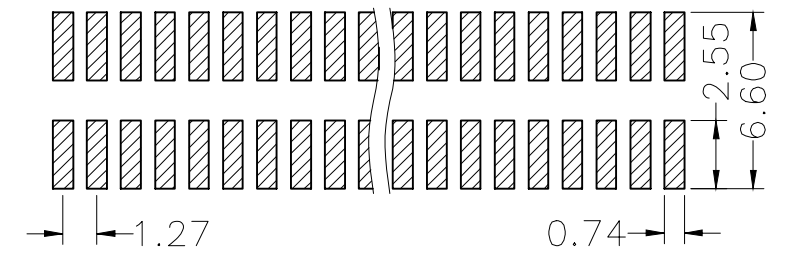




NOTES:  
 Current Rating: 1.0AMP  
 Withstand Voltage: 1000V AC/DC  
 Contact Resistance: 20mΩ Max  
 Insulation Resistance: 1000MΩ Min  
 Operation Temperature: -40°C to +105°C

Contact Material: Phosphor Bronze or Brass  
 Contact Plating: Au or Sn over Ni  
 Insulator Material: PA6T/PA9T/LCP+30%G.F (UL94V-0)

Recommended P.C.B Layout (Top Side)  
 (PCB BOARD TOLERANCE ±0.05)



### Ordering Information

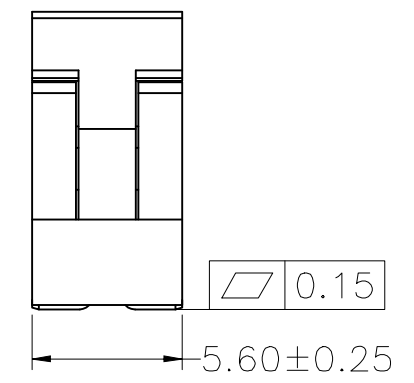
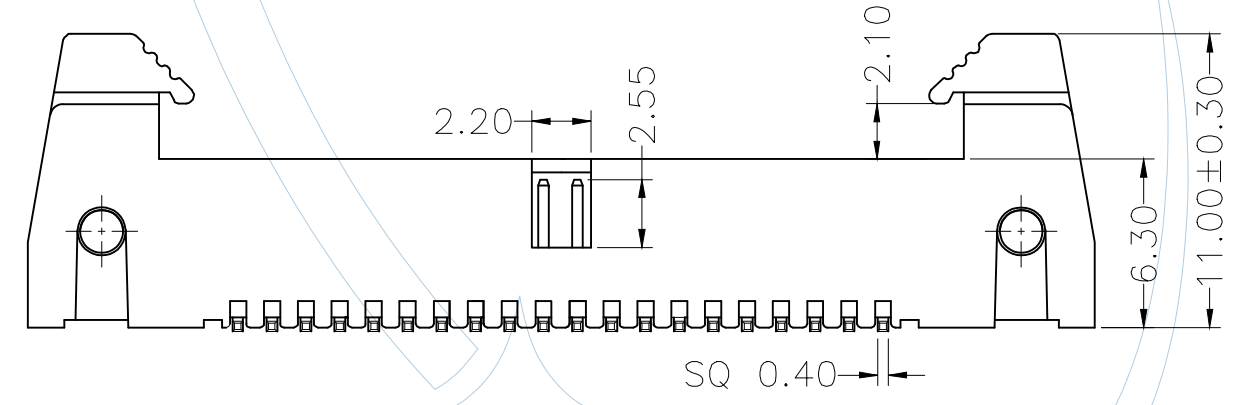
EJC230-XX M XX B X X 1

No. of Pins  
 08 30  
 10 34  
 14 40  
 16 44  
 20 50  
 24 60  
 26 64

Contact Plating:  
 G0=Gold Flash  
 G1=3u"Gold  
 G2=5u"Gold  
 G3=10u"Gold  
 G4=15u"Gold  
 G5=30u"Gold  
 S0=Gold Flash/Tin  
 S1=3u"Gold/Tin  
 S2=5u"Gold/Tin  
 S3=10u"Gold/Tin  
 S4=15u"Gold/Tin  
 S5=30u"Gold/Tin  
 SN=Tin

Color  
 B=Black

Packing  
 A=Tray  
 T=Tube



ITEM	Pitch	Mating
Standard	1.27	IDCE323
Alternate		

REV	DATE	MODIFICATION DESCRIPTION	CHANGE	APPROVE	ENGINEERING		DRAW	SCALE	FREE	PART NO. EJC230-XXMXXBXX1	TITLE: 1.27mm 牛角 180° SMT	Customer NO.	 Dongguan YILI Electronic Technology Co., Ltd Tel: FAX: E-mail: <a href="http://www.ylcon.cn">http:// www.ylcon.cn</a>
					DIM	TOL							
					X.X	±0.40							
					X.XX	±0.25	DESIGN						
					X.XXX	±0.15	CHECK						
					Angle	± 3°	APPROVE						
								UNIT	mm				
								SIZE	A3				
								SHEET	1/1				
								PROJ.					