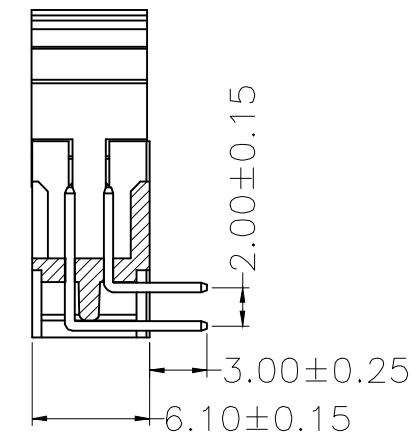
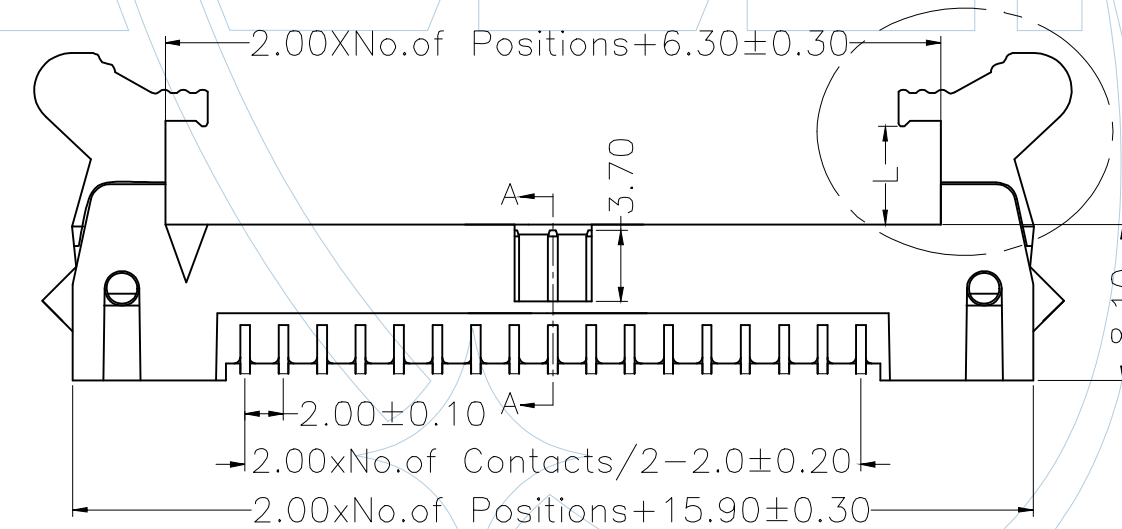
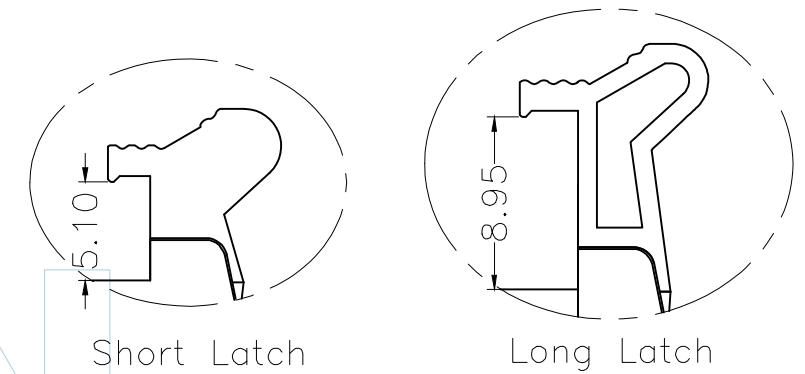
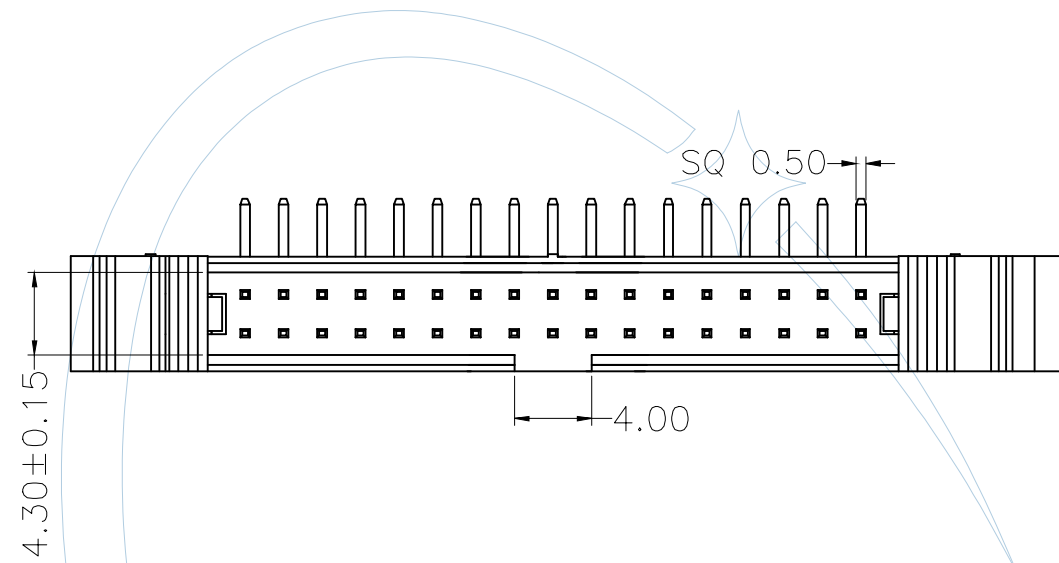
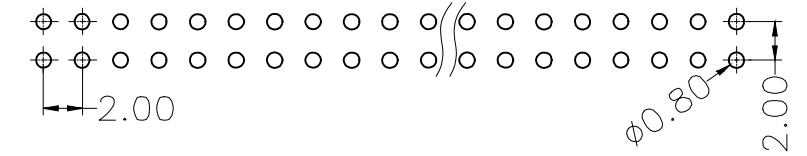




NOTES:  
 Current Rating: 1.0AMP  
 Withstand Voltage: 1000V AC/DC  
 Contact Resistance: 20mΩ Max  
 Insulation Resistance: 1000MΩ Min  
 Operation Temperature: -40°C to +105°C

Contact Material: Phosphor Bronze or Brass  
 Contact Plating: Au or Sn over Ni  
 Insulator Material: PA6T/PA9T/LCP+30%G.F (UL94V-0)

Recommended P.C.B Layout (Top Side)  
 (PCB BOARD TOLERANCE ±0.05)



### Ordering Information

EJC220-XX R XX B X X 1

- |             |                   |               |         |
|-------------|-------------------|---------------|---------|
| No. of Pins | Contact Plating:  | Color         | Packing |
| 08 30       | G0=Gold Flash     | B=Black       | A=Tray  |
| 10 34       | G1=3u"Gold        | U=Blue        | T=Tube  |
| 14 40       | G2=5u"Gold        | E=Gray (413C) |         |
| 16 44       | G3=10u"Gold       | G=Gray (427C) |         |
| 20 50       | G4=15u"Gold       |               |         |
| 24 60       | G5=30u"Gold       |               |         |
| 26 64       | S0=Gold Flash/Tin |               |         |
|             | S1=3u"Gold/Tin    |               |         |
|             | S2=5u"Gold/Tin    |               |         |
|             | S3=10u"Gold/Tin   |               |         |
|             | S4=15u"Gold/Tin   |               |         |
|             | S5=30u"Gold/Tin   |               |         |
|             | SN=Tin            |               |         |

ITEM	Pitch	Mating
Standard	2.00	IDCE221/E222
Alternate		

REV	DATE	MODIFICATION DESCRIPTION	CHANGE	APPROVE	ENGINEERING		DRAW	SCALE	FREE	PART NO.
					DIM	TOL				
					X.X	±0.40	DESIGN			EJC220-XXXXBXX1
					X.XX	±0.25	CHECK			TITLE:
					X.XXX	±0.15	APPROVE			2.00mm 牛角 90°
					Angle	± 3°				Customer NO.

**YLCCON**  
 Dongguan YILI Electronic Technology Co., Ltd

Tel:  
 FAX:  
 E-mail:  
[http:// www.ylcon.cn](http://www.ylcon.cn)