



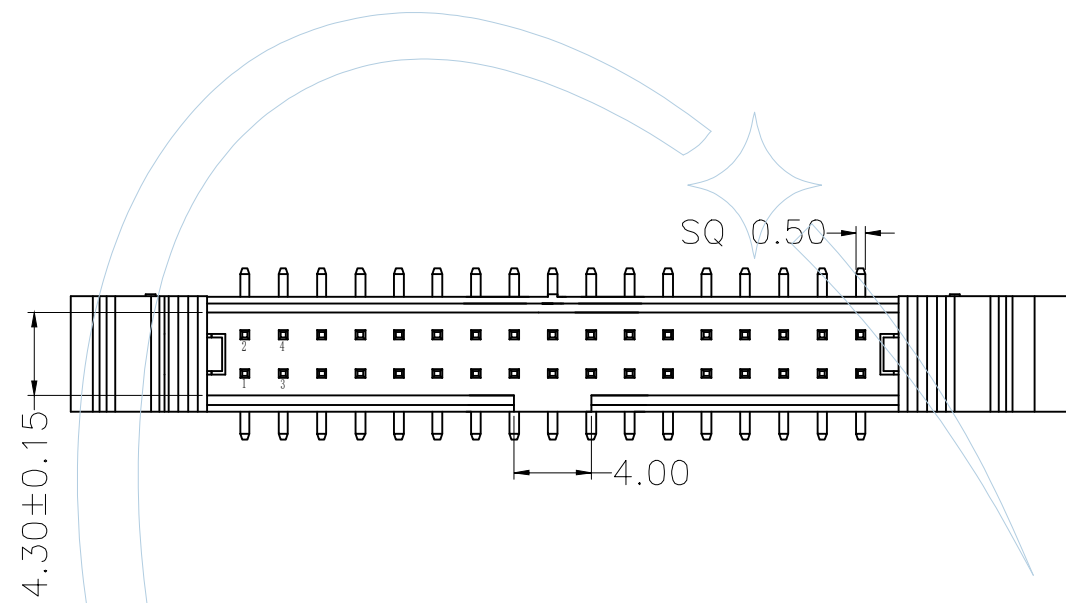
NOTES:
 Current Rating: .1.0AMP
 Withstand Voltage: 1000V AC/DC
 Contact Resistance: 20mΩ Max
 Insulation Resistance: 1000MΩ Min
 Operation Temperature: -40°C to +105°C

Contact Material: Phosphor Bronze or Brass
 Contact Plating: Au or Sn over Ni
 Insulator Material: PA6T/PA9T/LCP+30%G.F (UL94V-0)

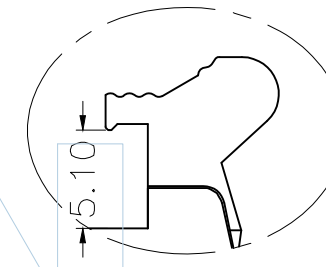
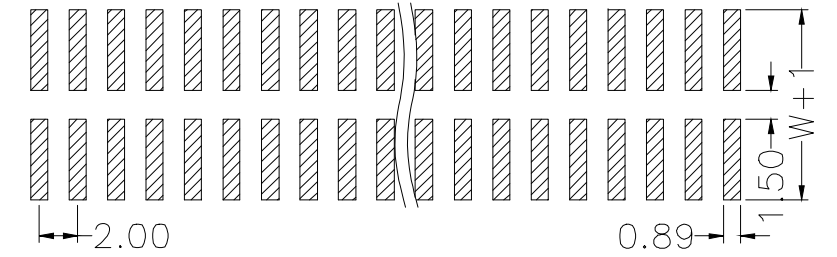
Ordering Information

EJC220-XX M XX B X X 1

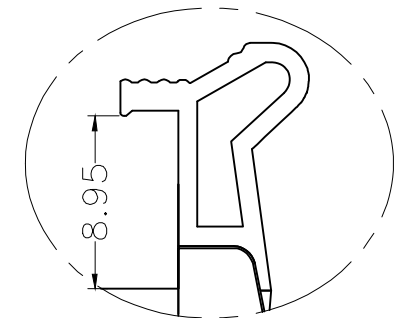
- | | | | |
|-------------|-------------------|---------------|---------|
| No. of Pins | Contact Plating: | Color | Packing |
| 08 30 | G0=Gold Flash | B=Black | A=Tray |
| 10 34 | G1=3u"Gold | U=Blue | T=Tube |
| 14 40 | G2=5u"Gold | E=Gray (413C) | |
| 16 44 | G3=10u"Gold | G=Gray (427C) | |
| 20 50 | G4=15u"Gold | | |
| 24 60 | G5=30u"Gold | | |
| 26 64 | S0=Gold Flash/Tin | | |
| | S1=3u"Gold/Tin | | |
| | S2=5u"Gold/Tin | | |
| | S3=10u"Gold/Tin | | |
| | S4=15u"Gold/Tin | | |
| | S5=30u"Gold/Tin | | |
| | SN=Tin | | |



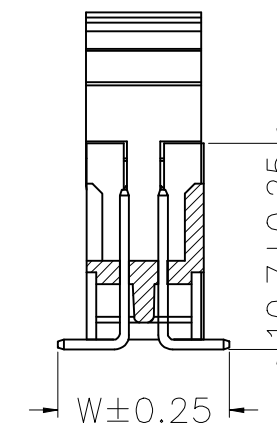
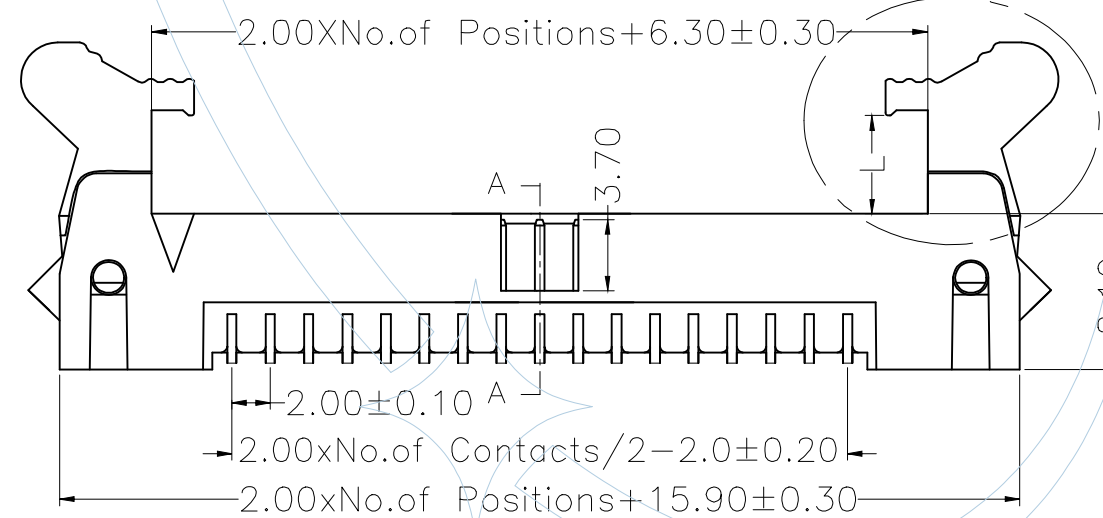
Recommended P.C.B Layout (Top Side)
 (PCB BOARD TOLERANCE ±0.05)



Short Latch



Long Latch



SECTION A-A

ITEM	Pitch	Mating
Standard	2.0	IDCE221/E222
Alternate		

REV	DATE	MODIFICATION DESCRIPTION	CHANGE	APPROVE	ENGINEERING		DRAW	SCALE	FREE	PART NO. EJC220-XXMXXBXX1
					DIM	TOL				
					X.X	±0.40	DESIGN			TITLE: 2.54mm 铁钩牛角 90°
					X.XX	±0.25	CHECK			
					X.XXX	±0.15	APPROVE			Customer NO.
					Angle	± 3°				
								PROJ.	1/1	

YLCCON
 Dongguan YILI Electronic Technology Co., Ltd

Tel:
 FAX:
 E-mail:
[http:// www.ylcon.cn](http://www.ylcon.cn)