



NOTES:
 Current Rating: 1.0AMP
 Withstand Voltage: 1000V AC/DC
 Contact Resistance: 20mΩ Max
 Insulation Resistance: 1000MΩ Min
 Operation Temperature: -40°C to +105°C

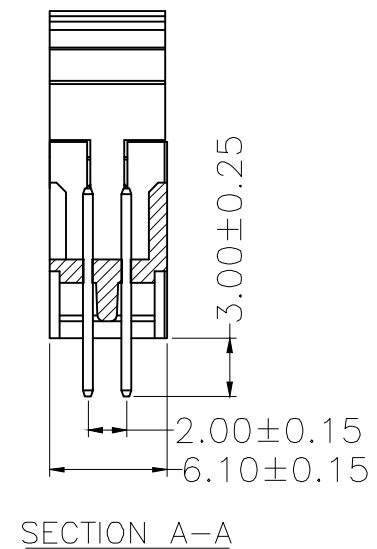
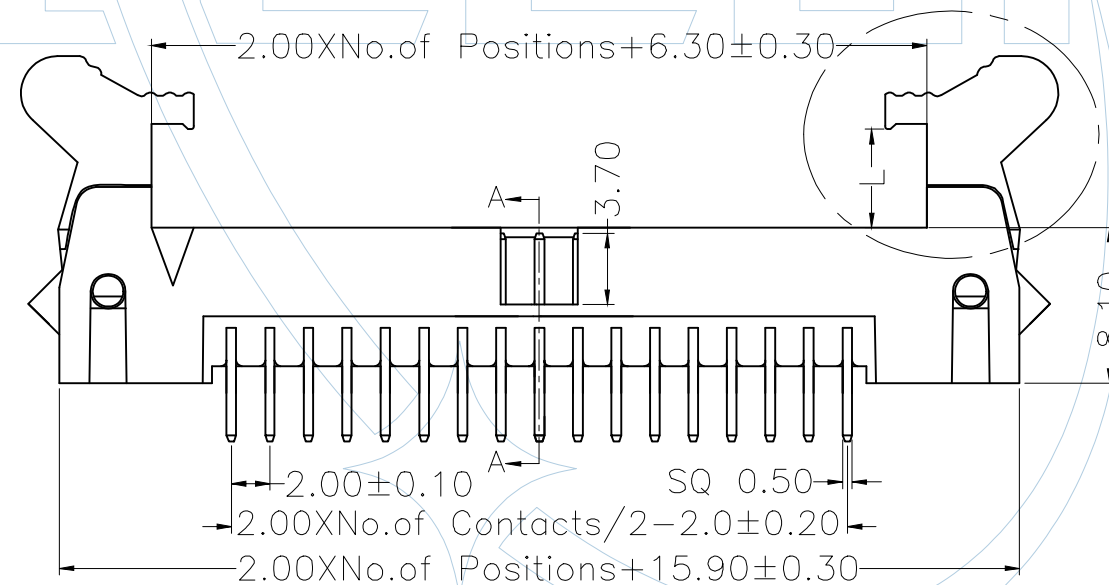
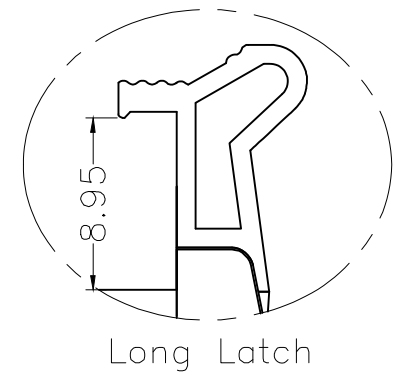
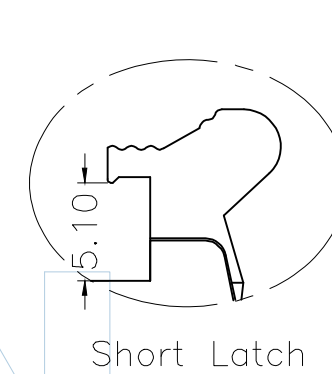
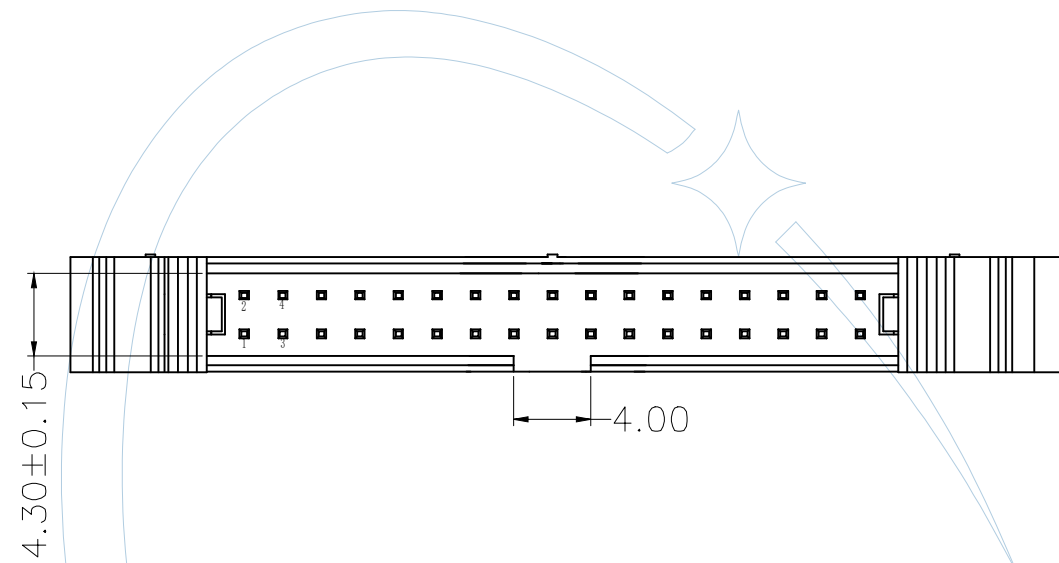
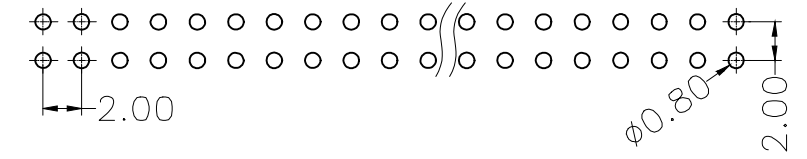
Contact Material: Phosphor Bronze or Brass
 Contact Plating: Au or Sn over Ni
 Insulator Material: PA6T/PA9T/LCP+30%G.F (UL94V-0)

Ordering Information

EJC220-XX S XX B X X 1

No. of Pins	Contact Plating:	Color	Packing
08 30	G0=Gold Flash	B=Black	A=Tray
10 34	G1=3u"Gold		T=Tube
14 40	G2=5u"Gold		
16 44	G3=10u"Gold		
20 50	G4=15u"Gold		
24 60	G5=30u"Gold		
26 64	S0=Gold Flash/Tin		
	S1=3u"Gold/Tin		
	S2=5u"Gold/Tin		
	S3=10u"Gold/Tin		
	S4=15u"Gold/Tin		
	S5=30u"Gold/Tin		
	SN=Tin		

Recommended P.C.B Layout(Top Side)
 (PCB BOARD TOLERANCE ±0.05)



ITEM	Pitch	Mating
Standard	2.00	IDCE221/E222
Alternate		

REV	DATE	MODIFICATION DESCRIPTION	CHANGE	APPROVE	ENGINEERING		DRAW	SCALE	FREE	PART NO.	TITLE:	Customer NO.
					DIM	TOL						
					X.X	±0.40	DESIGN		UNIT	mm	EJC220-XXSXXBXX1	
					X.XX	±0.25	CHECK		SIZE	A3	2.0mm 牛角90°	
					X.XXX	±0.15	APPROVE		SHEET	1/1		
					Angle	± 3°			PROJ.			

YLCCON
 Dongguan YILI Electronic Technology Co., Ltd

Tel:
 FAX:
 E-mail:
[http:// www.ylcon.cn](http://www.ylcon.cn)