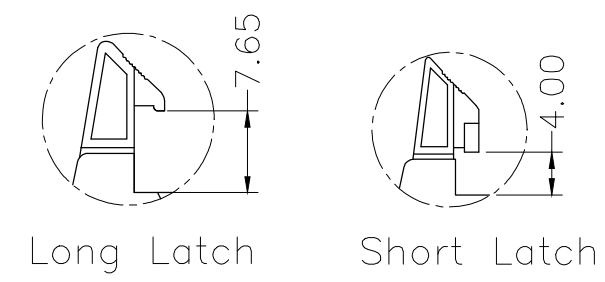
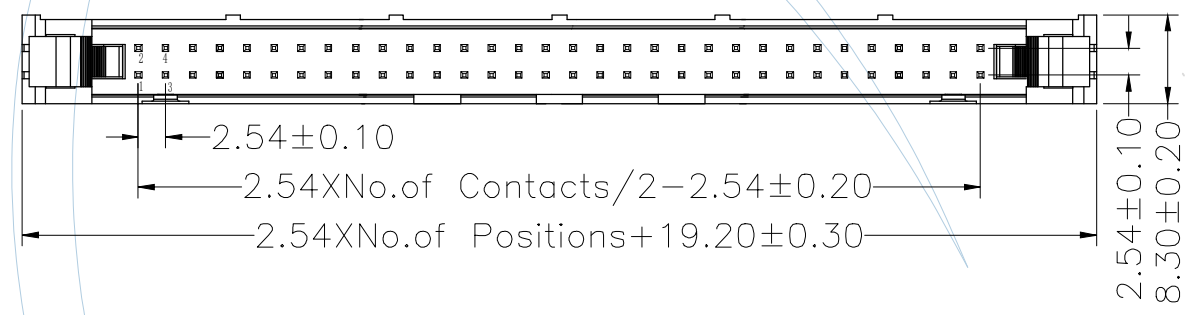
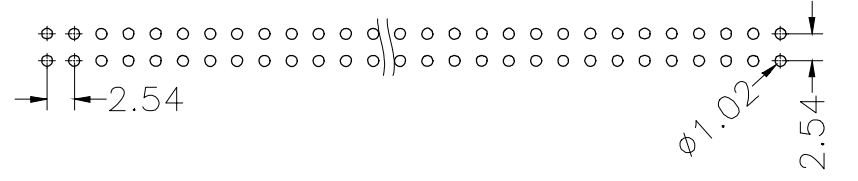




NOTES:
 Current Rating: 3.0AMP
 Withstand Voltage: 1000V AC/DC
 Contact Resistance: 20mΩ Max
 Insulation Resistance: 1000MΩ Min
 Operation Temperature: -40°C to +105°C

Contact Material: Phosphor Bronze or Brass
 Contact Plating: Au or Sn over Ni
 Insulator Material: PA6T/PA9T/LCP+30%G.F (UL94V-0)

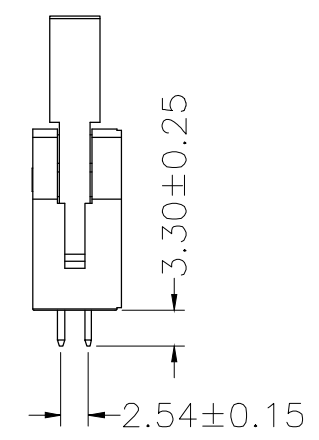
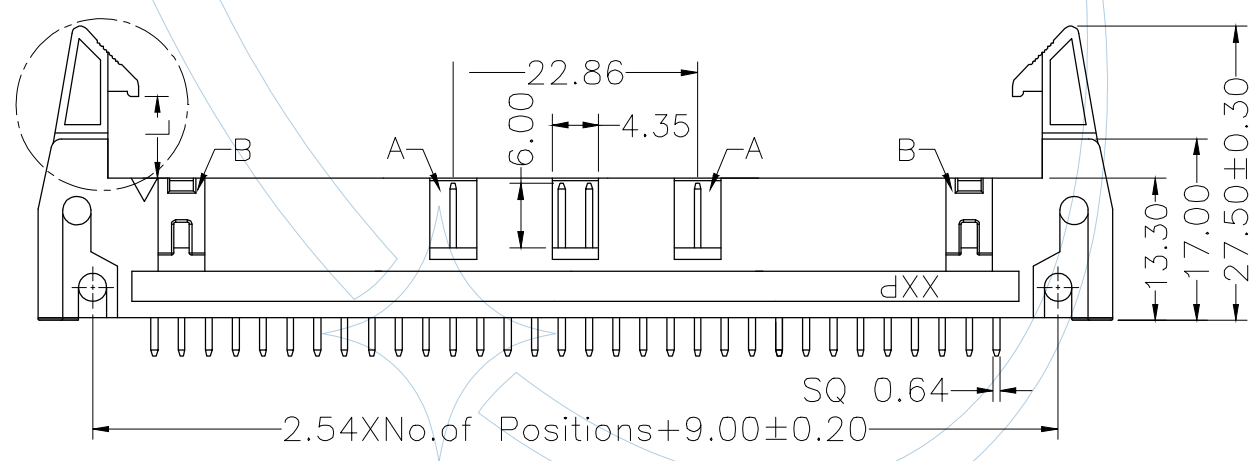
Recommended P.C.B Layout (Top Side)
 (PCB BOARD TOLERANCE ±0.05)



Ordering Information

EJC210-XX S XX B X X 1

- No. of Pins: 08 30, 10 34, 14 40, 16 44, 20 50, 24 60, 26 64
- Contact Plating: G0=Gold Flash, G1=3u"Gold, G2=5u"Gold, G3=10u"Gold, G4=15u"Gold, G5=30u"Gold, S0=Gold Flash/Tin, S1=3u"Gold/Tin, S2=5u"Gold/Tin, S3=10u"Gold/Tin, S4=15u"Gold/Tin, S5=30u"Gold/Tin, SN=Tin
- Color: B=Black, U=Blue, E=Gray (413C), G=Gray (427C)
- Packing: A=Tray, T=Tube



ITEM	Pitch	Mating
Standard	2.54	IDCE211/E212
Alternate		

REV	DATE	MODIFICATION DESCRIPTION	CHANGE	APPROVE	ENGINEERING		DRAW	SCALE	FREE	PART NO.
					DIM	TOL				
					X.X	±0.40	DESIGN		UNIT	mm
					X.XX	±0.25	CHECK		SIZE	A3
					X.XXX	±0.15	APPROVE		SHEET	1/1
					Angle	± 3°			PROJ.	1/1

SCALE: FREE
 UNIT: mm
 SIZE: A3
 SHEET: 1/1
 PROJ. 1/1

YLCCON
 Dongguan YILI Electronic Technology Co., Ltd
 Tel:
 FAX:
 E-mail:
[http:// www.ylcon.cn](http://www.ylcon.cn)