



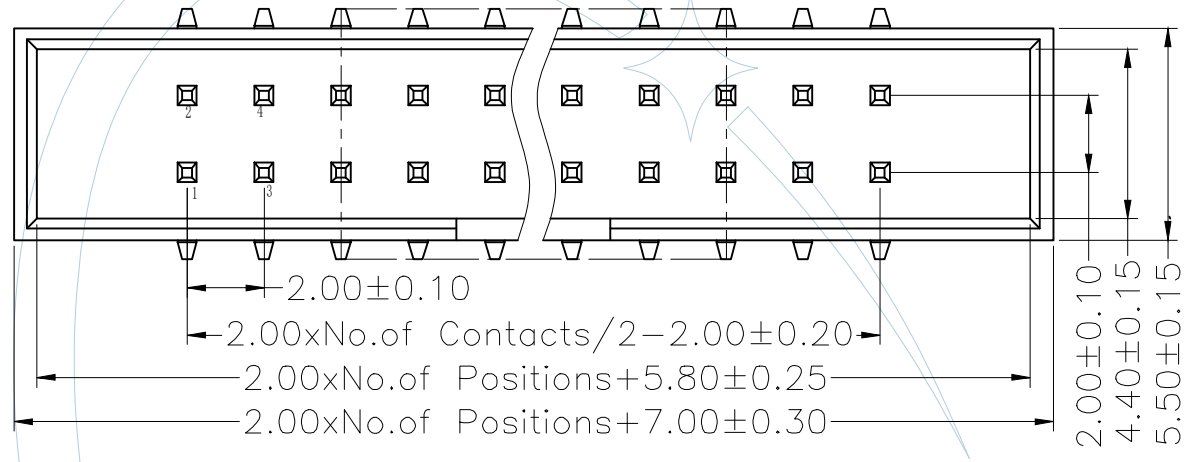
NOTES:
 Current Rating: 1.0AMP
 Withstand Voltage: 1000V AC/DC
 Contact Resistance: 20mΩ Max
 Insulation Resistance: 1000MΩ Min
 Operation Temperature: -40°C to +105°C

Contact Material: Phosphor Bronze or Brass
 Contact Plating: Au or Sn over Ni
 Insulator Material: PA6T/PA9T/LCP+30%G.F (UL94V-0)

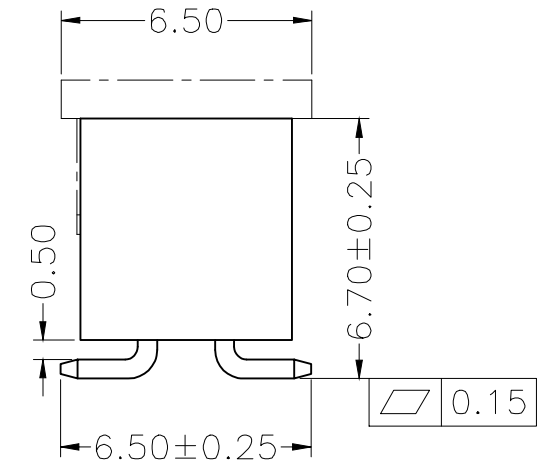
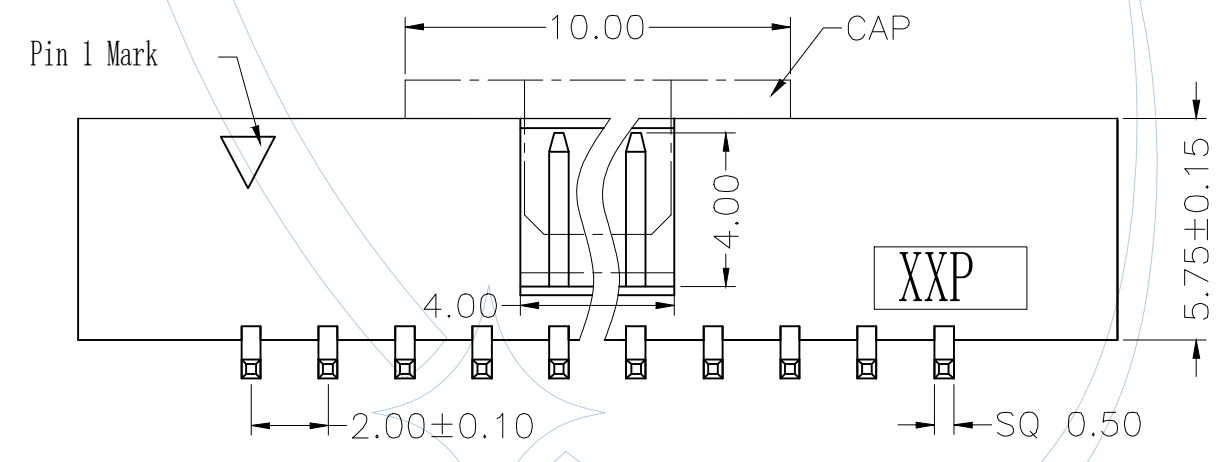
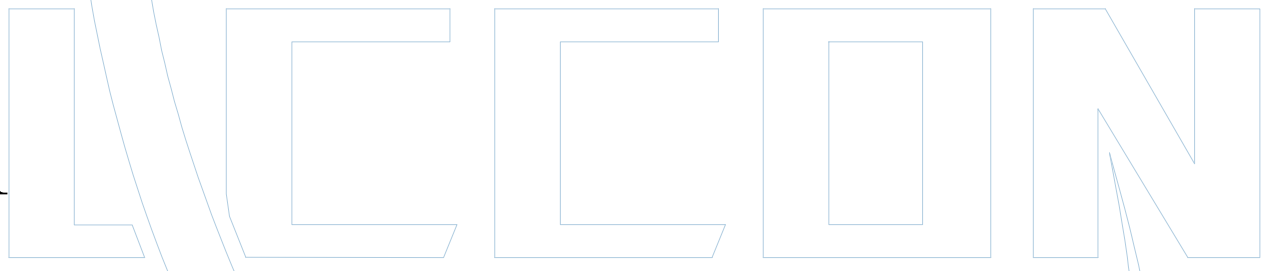
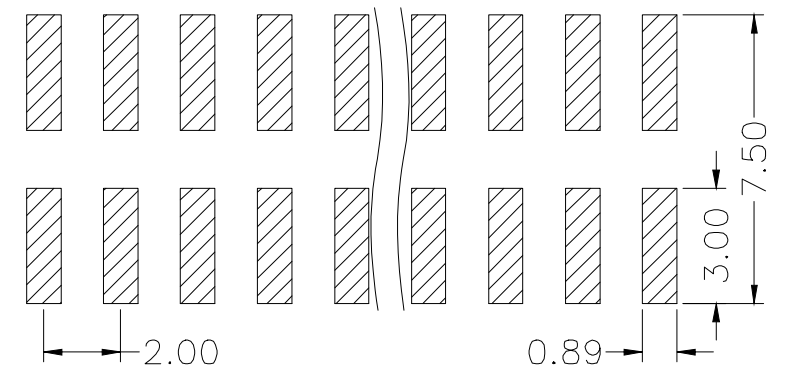
Ordering Information

BHC111-XX M XX B K00 X 1

- | | | | |
|-------------|-------------------|---------------|---------|
| No. of Pins | Contact Plating: | Color | Packing |
| 08 30 | G0=Gold Flash | B=Black | A=Tray |
| 10 34 | G1=3u"Gold | U=Blue | T=Tube |
| 14 40 | G2=5u"Gold | E=Gray (413C) | |
| 16 44 | G3=10u"Gold | G=Gray (427C) | |
| 20 50 | G4=15u"Gold | | |
| 24 60 | G5=30u"Gold | | |
| 26 64 | S0=Gold Flash/Tin | | |
| | S1=3u"Gold/Tin | | |
| | S2=5u"Gold/Tin | | |
| | S3=10u"Gold/Tin | | |
| | S4=15u"Gold/Tin | | |
| | S5=30u"Gold/Tin | | |
| | SN=Tin | | |



Recommended P.C.B Layout (Top Side)
 (PCB BOARD TOLERANCE ±0.05)



| | | |
|-----------|-------|--------------|
| ITEM | Pitch | Mating |
| Standard | 2.0 | IDCE221/E222 |
| Alternate | | |

| | | | | | | | | | | | | |
|-----|------|--------------------------|--|-------------|---------|---------|-----|-------|------|-------------------------|--|---|
| | | | | ENGINEERING | | DRAW | | SCALE | FREE | PART NO. | | Dongguan YILI Electronic Technology Co., Ltd Tel: FAX: E-mail: http:// www.ylcon.cn |
| | | | | X.X | ±0.40 | DESIGN | | UNIT | mm | BHC111-XXMXXBK00X1 | | |
| | | | | X.XX | ±0.25 | CHECK | | SIZE | A3 | TITLE: | | |
| | | | | X.XXX | ±0.15 | APPROVE | | SHEET | 1/1 | 2.0mm 筒牛180° SMT H=5.75 | | |
| | | | | Angle | ± 3° | | | PROJ. | ☑ | Customer NO. | | |
| REV | DATE | MODIFICATION DESCRIPTION | | CHANGE | APPROVE | DIM | TOL | | | | | |