



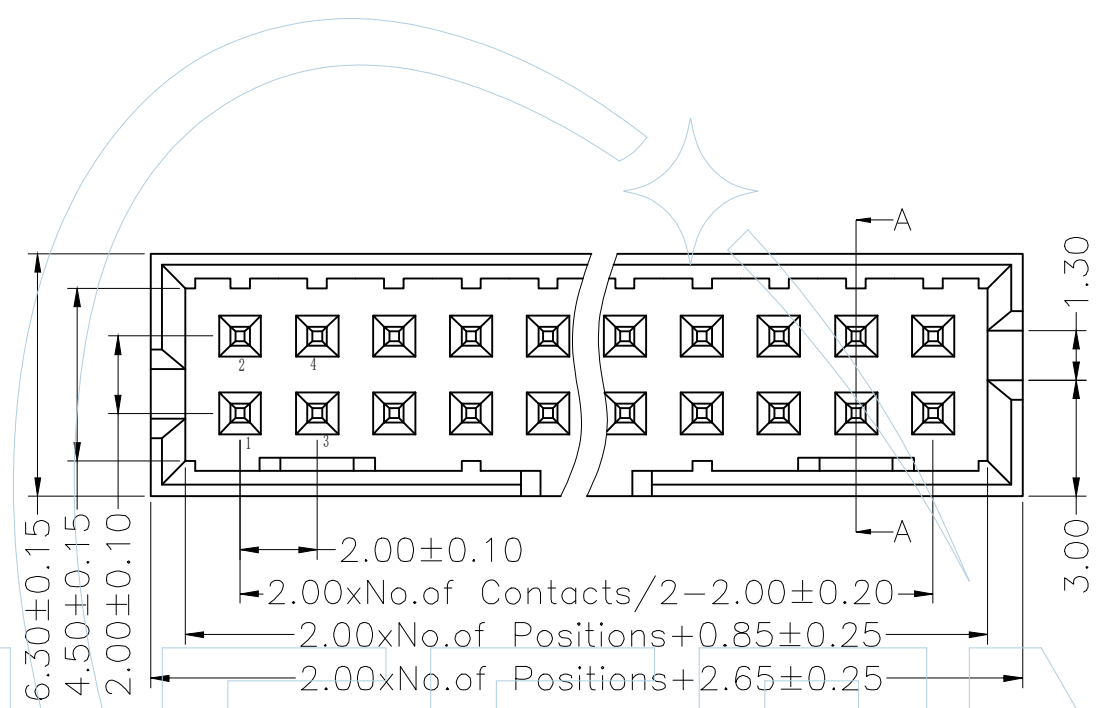
NOTES:
 Current Rating: .2. 0AMP
 Withstand Voltage: 500V AC/DC
 Contact Resistance: 20mΩ Max
 Insulation Resistance: 1000MΩ Min
 Operation Temperature: -40°C to +105°C

Contact Material: Phosphor Bronze or Brass
 Contact Plating: Au or Sn over Ni
 Insulator Material: PA6T/PA9T/LCP+30%G.F (UL94V-0)

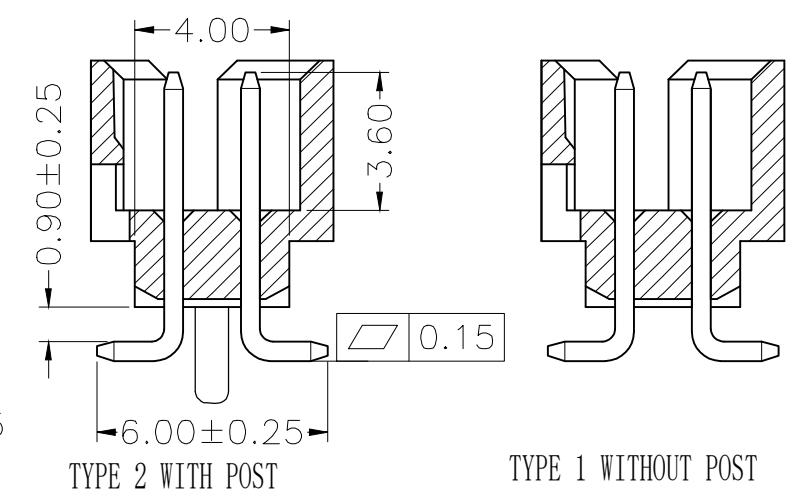
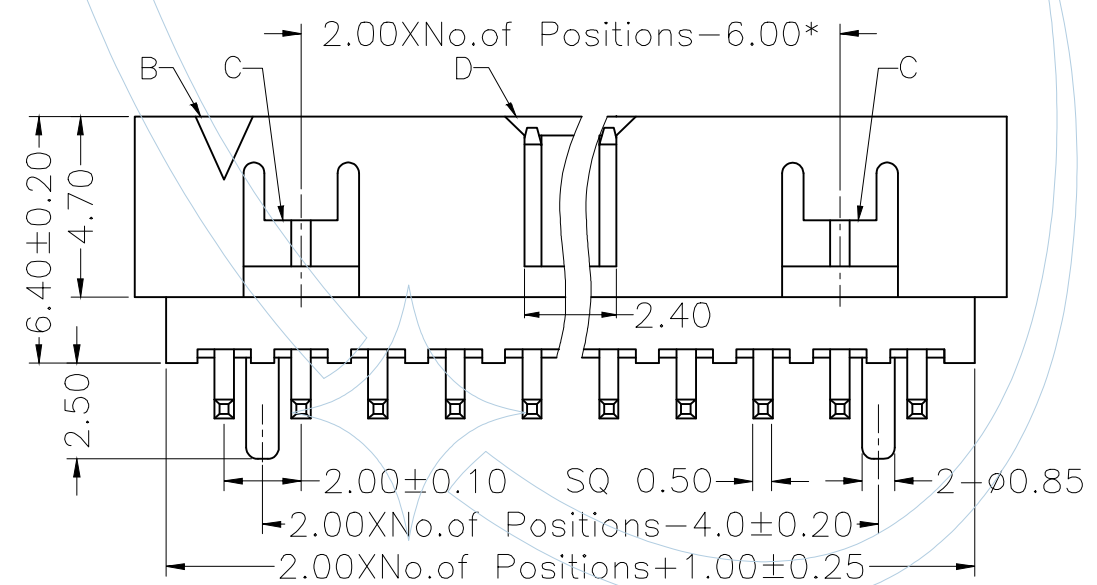
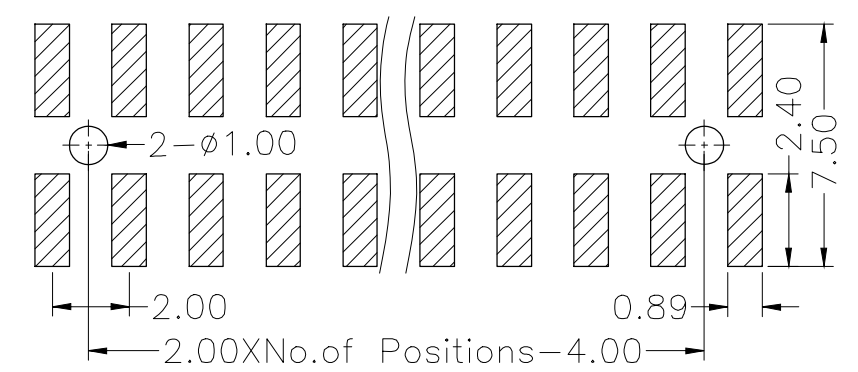
Ordering Information

BHC121-XX M XX B K00 X 1

- | | | | |
|-------------|-------------------|---------------|---------|
| No. of Pins | Contact Plating: | Color | Packing |
| 08 30 | G0=Gold Flash | B=Black | A=Tray |
| 10 34 | G1=3u"Gold | U=Blue | T=Tube |
| 14 40 | G2=5u"Gold | E=Gray (413C) | |
| 16 44 | G3=10u"Gold | G=Gray (427C) | |
| 20 50 | G4=15u"Gold | | |
| 24 60 | G5=30u"Gold | | |
| 26 64 | S0=Gold Flash/Tin | | |
| | S1=3u"Gold/Tin | | |
| | S2=5u"Gold/Tin | | |
| | S3=10u"Gold/Tin | | |
| | S4=15u"Gold/Tin | | |
| | S5=30u"Gold/Tin | | |
| | SN=Tin | | |



Recommended P.C.B Layout (Top Side)
 (PCB BOARD TOLERANCE ± 0.05)



SECTION A-A

ITEM	Pitch	Mating
Standard	2.0	IDCE226
Alternate		

		ENGINEERING		DRAW		SCALE		FREE		PART NO.	
		X.X	± 0.40	DESIGN		UNIT		mm		BHC121-XXMXXBK00X1	
		X.XX	± 0.25	CHECK		SIZE		A3		TITLE:	
		X.XXX	± 0.15	APPROVE		SHEET		1/1		2.0mm 筒牛180° SMT H=6.4	
		Angle	$\pm 3^\circ$			PROJ.		☒ ☒		Customer NO.	
REV	DATE	MODIFICATION DESCRIPTION		CHANGE	APPROVE						

YLCCON
 Dongguan YILI Electronic Technology Co., Ltd
 Tel:
 FAX:
 E-mail:
[http:// www.ylcon.cn](http://www.ylcon.cn)