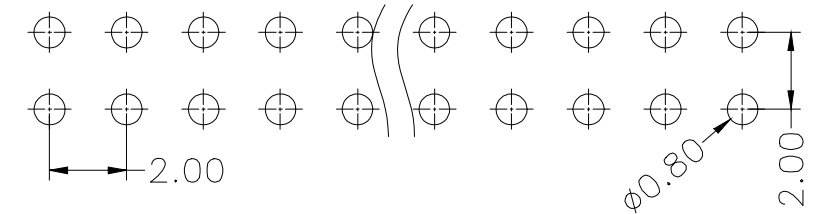


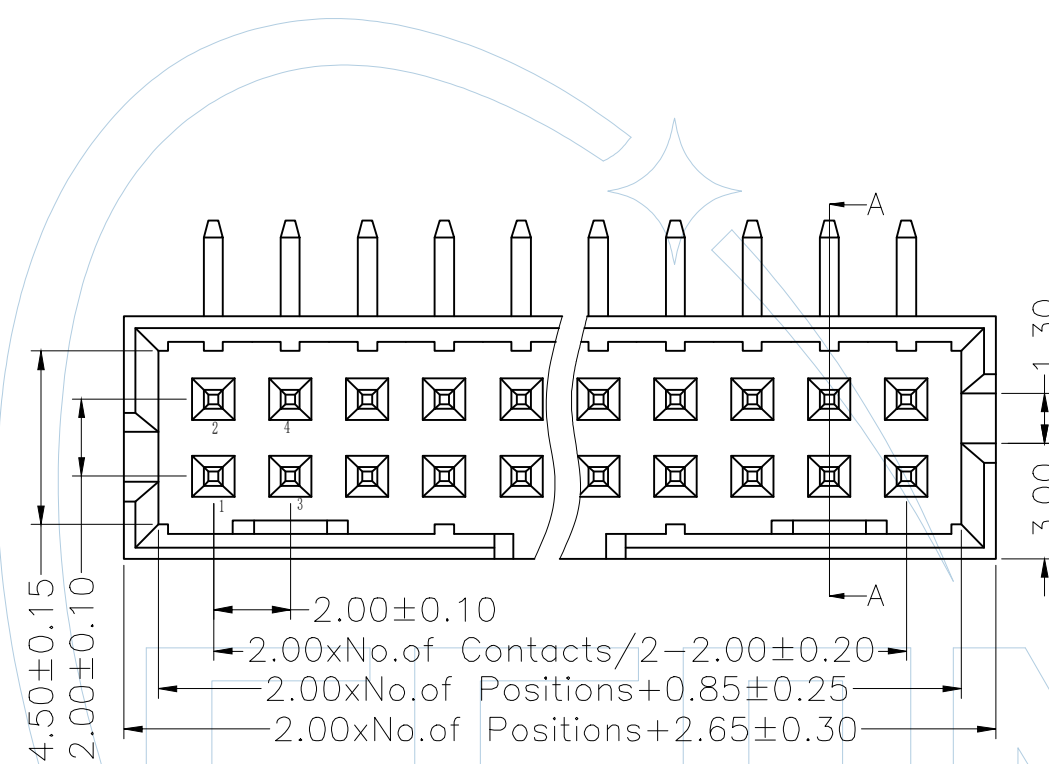


Recommended P.C.B Layout(Top Side)
(PCB BOARD TOLERANCE±0.05)



NOTES:
Current Rating: .2.0AMP
Withstand Voltage:500V AC/DC
Contact Resistance:20mΩ Max
Insulation Resistance:1000MΩ Min
Operation Temperature:-40℃ to +105℃

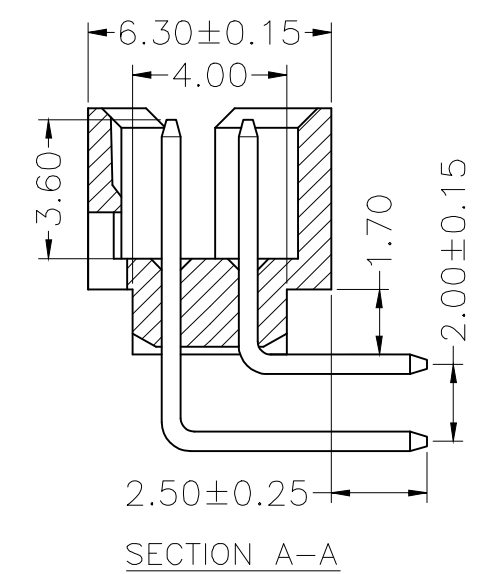
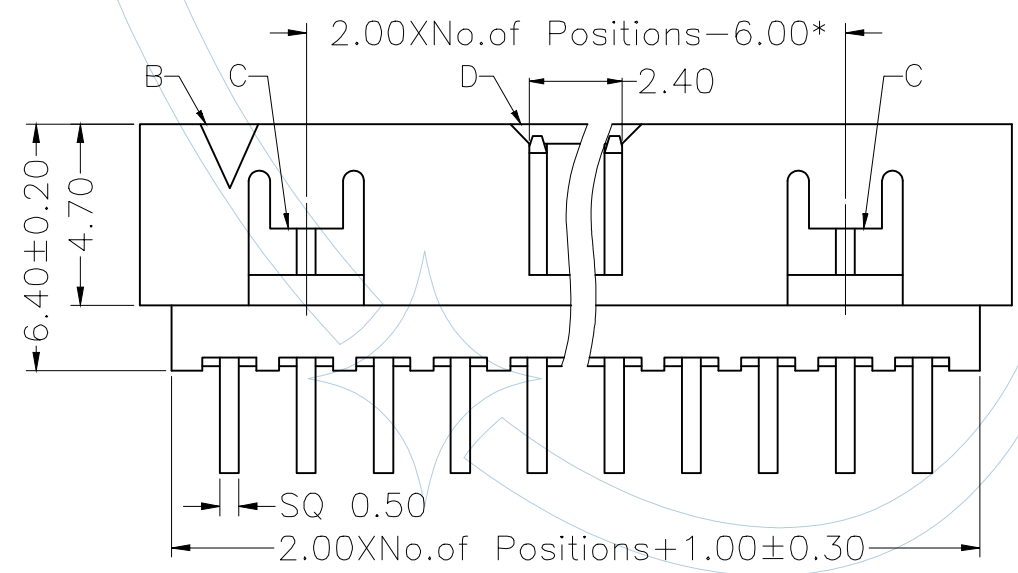
Contact Material:Phosphor Bronze or Brass
Contact Plating:Au or Sn over Ni
Insulator Material:PA6T/PA9T/LCP+30%G.F (UL94V-0)



Ordering Information

BHC121-XX R XX B K00 X 1

- | | | | |
|-------------|-------------------|---------------|---------|
| No. of Pins | Contact Plating: | Color | Packing |
| 08 30 | G0=Gold Flash | B=Black | A=Tray |
| 10 34 | G1=3u"Gold | U=Blue | T=Tube |
| 14 40 | G2=5u"Gold | E=Gray (413C) | |
| 16 44 | G3=10u"Gold | G=Gray (427C) | |
| 20 50 | G4=15u"Gold | | |
| 24 60 | G5=30u"Gold | | |
| 26 64 | S0=Gold Flash/Tin | | |
| | S1=3u"Gold/Tin | | |
| | S2=5u"Gold/Tin | | |
| | S3=10u"Gold/Tin | | |
| | S4=15u"Gold/Tin | | |
| | S5=30u"Gold/Tin | | |
| | SN=Tin | | |



ITEM	Pitch	Mating
Standard	2.0	IDCE226
Alternate		

REV	DATE	MODIFICATION DESCRIPTION	CHANGE	APPROVE	ENGINEERING		DRAW	SCALE	FREE	PART NO. BHC121-XXRXXBK00X1	TITLE: 2.0mm 筒牛90° H=6.4	Customer NO.	 Dongguan YILI Electronic Technology Co., Ltd Tel: FAX: E-mail: http:// www.ylccon.cn
					DIM	TOL							
					X.X	±0.40	DESIGN						
					X.XX	±0.25	CHECK						
					X.XXX	±0.15	APPROVE						
					Angle	± 3°							