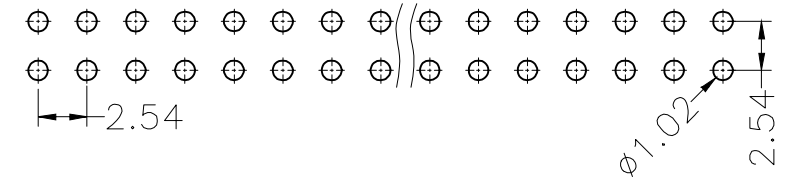


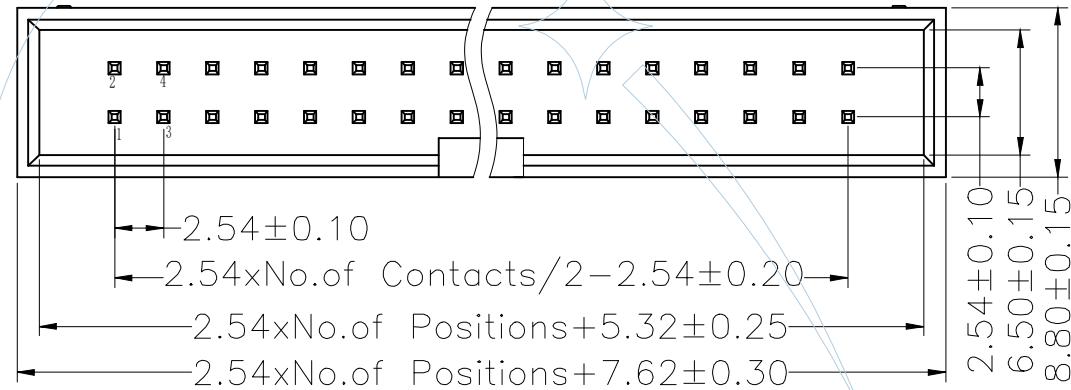


Recommended P.C.B Layout(Top Side)
(PCB BOARD TOLERANCE±0.05)



NOTES:
Current Rating:.3.0AMP
Withstand Voltage:500V AC/DC
Contact Resistance:20mΩ Max
Insulation Resistance:1000MΩ Min
Operation Temperature:-40℃ to +105℃

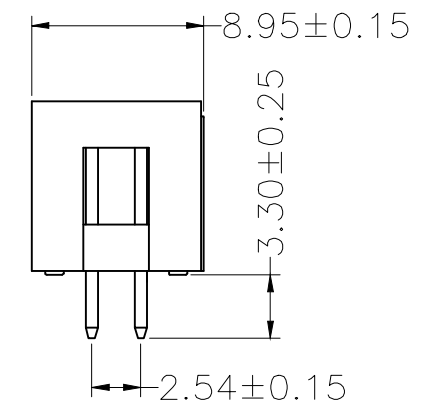
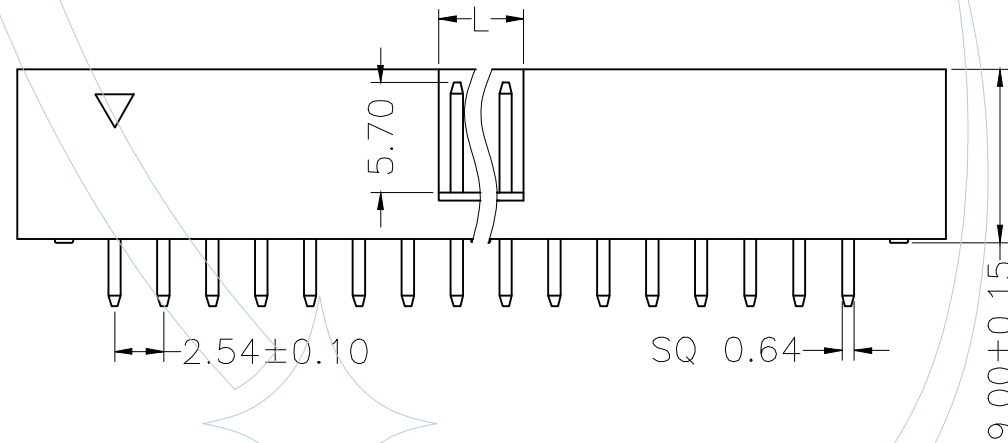
Contact Material:Phosphor Bronze or Brass
Contact Plating:Au or Sn over Ni
Insulator Material:PA6T/PA9T/LCP+30%G.F (UL94V-0)



Ordering Information

EJC110-XX S XX B K00 X 1

- No. of Pins: 08 30, 10 34, 14 40, 16 44, 20 50, 24 60, 26 64
- Contact Plating: G0=Gold Flash, G1=3u"Gold, G2=5u"Gold, G3=10u"Gold, G4=15u"Gold, G5=30u"Gold, S0=Gold Flash/Tin, S1=3u"Gold/Tin, S2=5u"Gold/Tin, S3=10u"Gold/Tin, S4=15u"Gold/Tin, S5=30u"Gold/Tin, SN=Tin
- Color: B=Black, U=Blue, E=Gray (413C), G=Gray (427C)
- Packing: A=Tray, T=Tube



ITEM	Pitch	Mating
Standard	2.54	IDCE211/E212/FHB185
Alternate		

NO. Pin	L	
6P-8P	4.00	
10P-64P	4.40	

REV	DATE	MODIFICATION DESCRIPTION	CHANGE	APPROVE	ENGINEERING		DRAW	SCALE	FREE	PART NO.	TITLE:	Customer NO.
					DIM	TOL						
					X.X	±0.40	DESIGN			EJC110-XXSXXBK00X1	2.54mm 筒牛 180° H=9.0	
					X.XX	±0.25	CHECK					
					X.XXX	±0.15	APPROVE					
					Angle	± 3°						

YLCCON
Dongguan YILI Electronic Technology Co., Ltd
Tel:
FAX:
E-mail:
[http:// www.ylcon.cn](http://www.ylcon.cn)