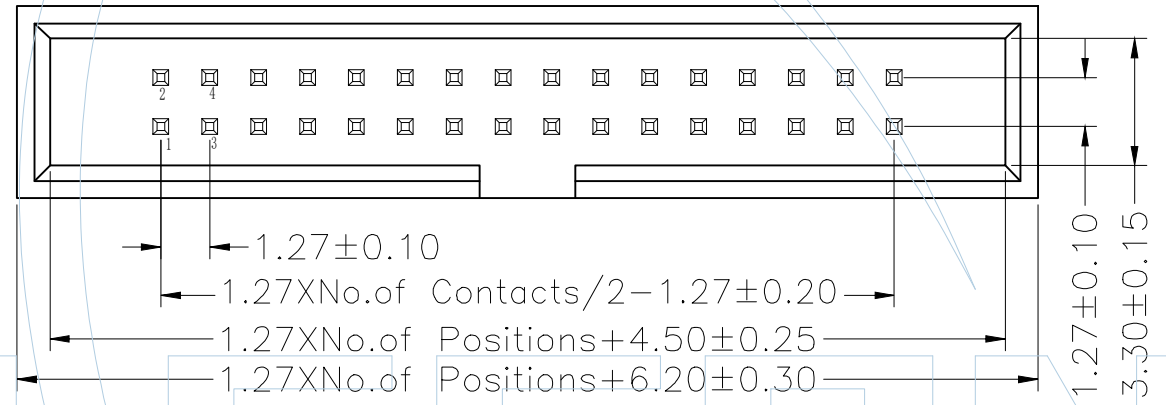
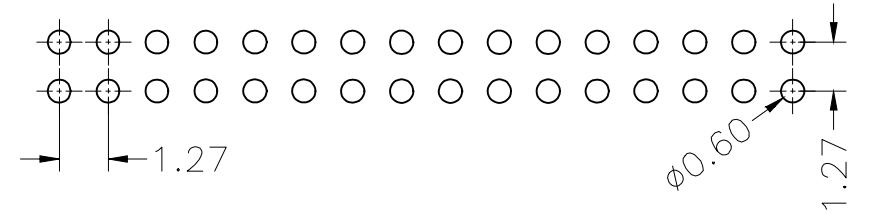




NOTES:
 Current Rating:.1.0AMP
 Withstand Voltage:500V AC/DC
 Contact Resistance:20mΩ Max
 Insulation Resistance:1000MΩ Min
 Operation Temperature:-40℃ to +105℃

Contact Material:Phosphor Bronze or Brass
 Contact Plating:Au or Sn over Ni
 Insulator Material:PA6T/PA9T/LCP+30%G.F (UL94V-0)

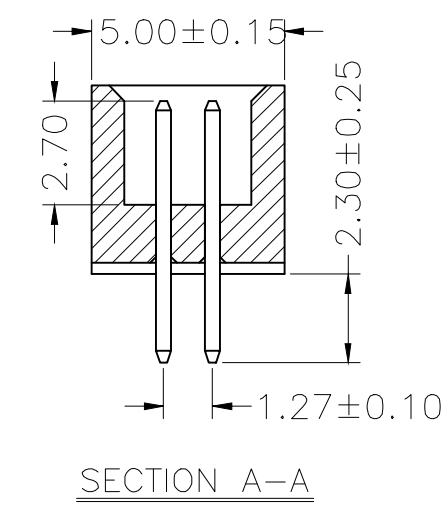
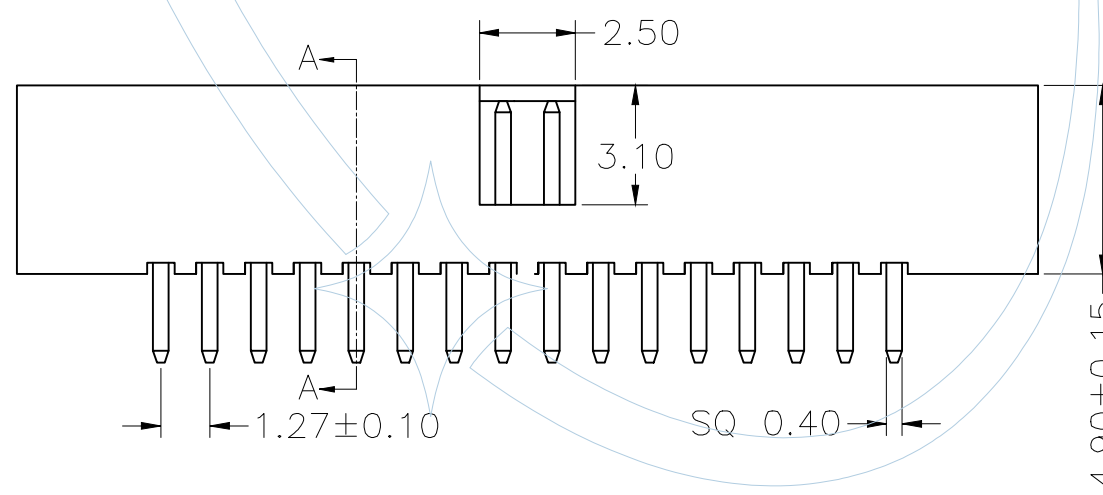
Recommended P.C.B Layout(Top Side)
 (PCB BOARD TOLERANCE±0.05)



Ordering Information

BHC130-XX S XX B K00 X 1

- No. of Pins: 08 30, 10 34, 14 40, 16 44, 20 50, 24 60, 26 64
- Contact Plating: G0=Gold Flash, G1=3u"Gold, G2=5u"Gold, G3=10u"Gold, G4=15u"Gold, G5=30u"Gold, S0=Gold Flash/Tin, S1=3u"Gold/Tin, S2=5u"Gold/Tin, S3=10u"Gold/Tin, S4=15u"Gold/Tin, S5=30u"Gold/Tin, SN=Tin
- Color: B=Black, U=Blue, E=Gray(413C), G=Gray(427C)
- Packing: A=Tray, T=Tube



ITEM	Pitch	Mating
Standard	1.27	IDCE232/FHB334
Alternate		

REV	DATE	MODIFICATION DESCRIPTION	CHANGE	APPROVE	ENGINEERING		DRAW	SCALE	FREE	PART NO. BHC130-XXSXXBK00X1	TITLE: 1.27mm筒牛 H=4.9	Customer NO.	 Dongguan YILI Electronic Technology Co., Ltd Tel: FAX: E-mail: http:// www.ylcon.cn
					DIM	TOL							
					X.X	±0.40	DESIGN		UNIT	mm			
					X.XX	±0.25	CHECK		SIZE	A3			
					X.XXX	±0.15	APPROVE		SHEET	1/1			
					Angle	± 3°			PROJ.	☒ ☉			