

HF



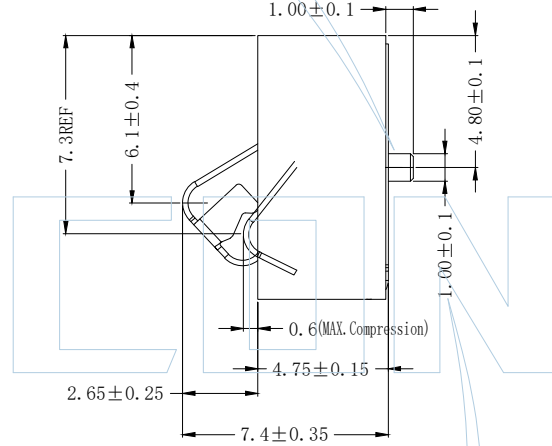
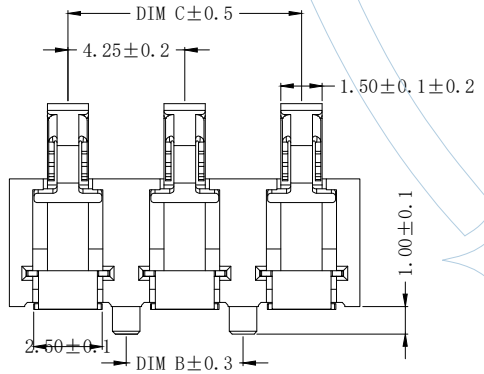
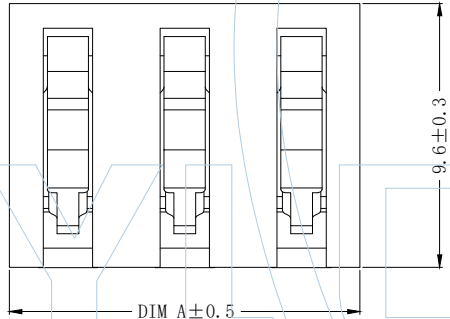
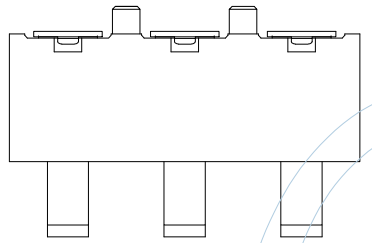
Specification:

Current Rating: 5.0A;
 Current Voltage: 30V;
 Withstand Voltage: 500V;
 Contact Resistance: 30mΩMAX
 Insulation: Resistance: 500MΩ;
 Working Temperature: -40℃~+85℃;
 Housing Material: LCP
 Contact Material: Phosphor Brass,
 Contact Area plated Au 3u"
 Life Time: Over 5000times;

Ordering Information

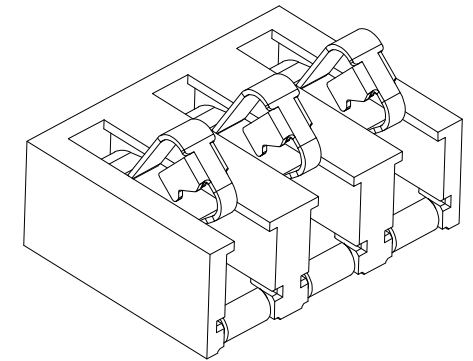
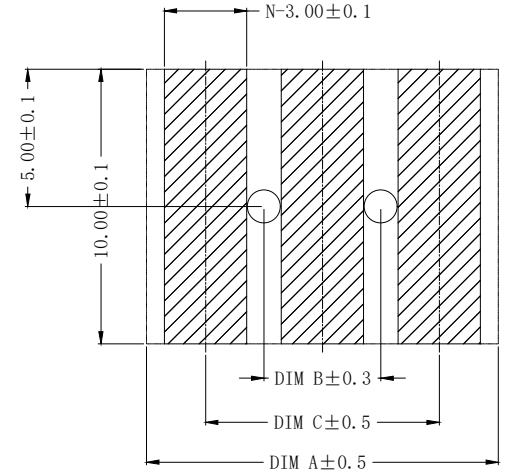
SLBM86-XX XX XX SL P XXX 1

Insulator Height 4.75±0.17
 No. of Pins 02-06
 Contact Plating G0=Gold Flash
 G1=3u" Gold
 G2=5u" Gold
 G3=10u" Gold
 G4=15u" Gold
 G5=30u" Gold
 Pressed method Spring Height
 PPositive press 1 2.65±0.25
 PSide press --



Pin数(N)	PART NO.	DIM A	DIM B	DIM C
3Pin	SLBM86-4703G1SLP2652	12.75	4.25	8.5
4Pin	SLBM86-4704G1SLP2652	17.0	8.5	12.75
5Pin	SLBM86-4705G1SLP2652	21.25	12.75	17.0
6Pin	SLBM86-4706G1SLP2652	25.5	17.0	21.25

Recommended PCB Layout



ITEM	Pitch	Mating
Standard	1.6	SLBF
Alternate		

REV	DATE	MODIFICATION DESCRIPTION	CHANGE	APPROVE	ENGINEERING		DRAW	SCALE	FREE	PART NO.	TITLE:	Customer NO.	YLCCON
					X.X	±0.40							
					X.XX	±0.25					H=4.75 弹高2.65 正压		Dongguan YILI Electronic Technology Co., Ltd Tel: FAX: E-mail: http:// www.ylconn.cn
					X.XXX	±0.15					带柱		
					Angle	± 3°							
					DIM	TOL							