

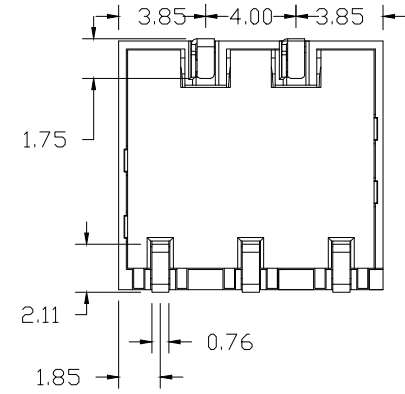
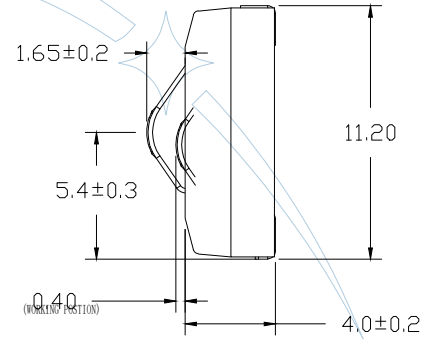
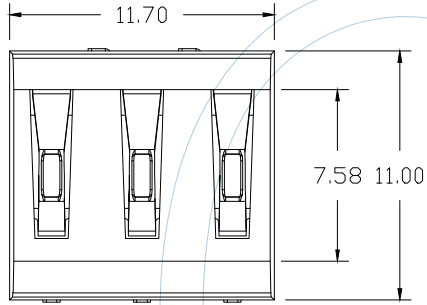
HF



RoHS

Specification:

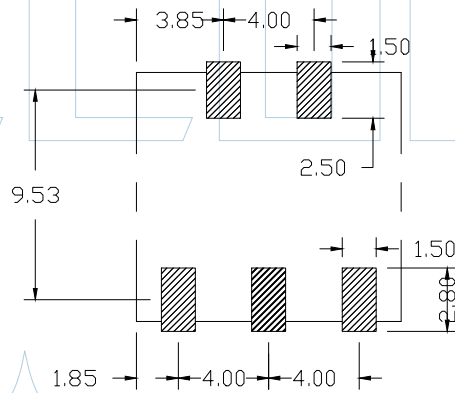
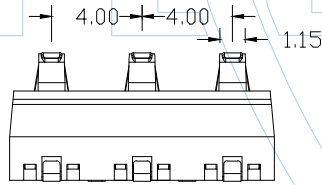
Current Rating: 3.0A;
 Current Voltage: 12V;
 Withstand Voltage: 500V;
 Contact Resistance: 30mΩ MAX
 Insulation: Resistance: 500MΩ;
 Working Temperature: -40°C~+85°C;
 Housing Material: PA9T
 Contact Material: Beryllium copper,
 Contact Area plated Au 5u"
 Life Time: Over 5000times;



Ordering Information

SLBM85-XX XX XX S9 P XXX 1

Insulation Height: 4.0-4.0
 No. of Pins: 02-06
 Contact Plating: 02=5u" Gold, 03=10u" Gold, 04=15u" Gold, 05=30u" Gold
 Pressed method: 1=Lowpress, 2=Side press



RECOMMENDED PCB LAYOUT
 TOL: (±0.05)

ITEM	Pitch	Mating
Standard	4.0	SLBF85
Alternate		

				ENGINEERING		DRAW		SCALE	FREE	PART NO.	 Dongguan YILI Electronic Technology Co., Ltd Tel: FAX: E-mail: http:// www.ylconn.cn
				X.X	±0.40	DESIGN		UNIT	mm	TITLE: 4.0mm弹片电池座 H=4.0 弹高1.65 正压 常规5u金	
				X.XX	±0.25	CHECK		SIZE	A3	Customer NO.	
				X.XXX	±0.15	APPROVE		SHEET	1/1		
REV	DATE	MODIFICATION DESCRIPTION		CHANGE	APPROVE	DIM	TOL	PROJ.			