

HF

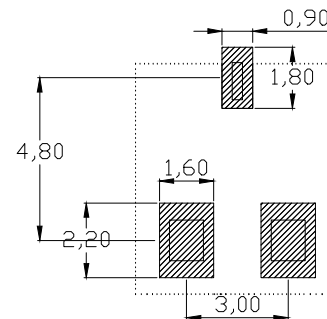
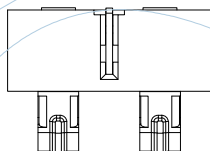


RoHS

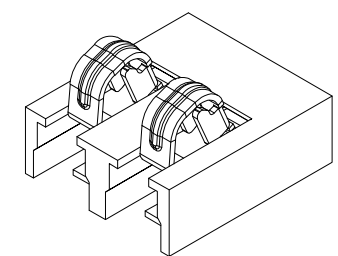
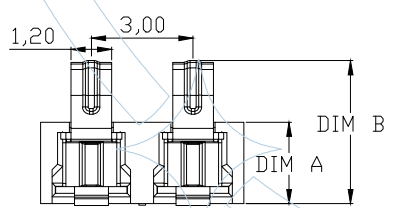
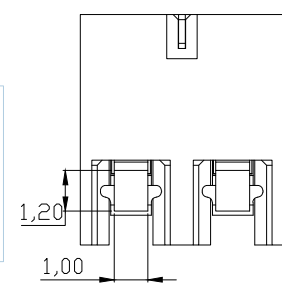
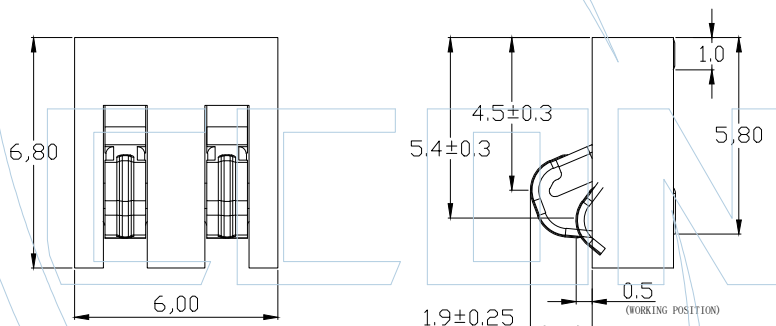
Specification:

Current Rating: 2.0A;
 Current Voltage: 12V;
 Withstand Voltage: 500V;
 Contact Resistance: 30mΩ MAX
 Insulation: Resistance: 500MΩ;
 Working Temperature: -40℃~+85℃;
 Housing Material: LCP
 Contact Material: Phosphor Brass,
 Contact Area plated Au 3u"
 Life Time: Over 3000times;

PART NO.	DIM A	DIM B
SLBM84-024XXG1LZP190	2.4	4.30±0.25
SLBM84-035XXG1LZP190	3.5	5.40±0.25



RECOMMENDED PCB LAYOUT
 TOP VIEW (. XX±0.05)



Ordering Information

SLBM84-XXX XX XX LZ X 190 1

Insulator Height: 2.4=024, 3.5=035
 No. of Pins: 02-08
 Contact Plating: G0=Gold Flash, G1=3u"Gold, G2=5u"Gold, G3=10u"Gold, G4=15u"Gold, G5=30u"Gold
 Pressed method: P=Positive press
 Spring Height: 1.9=190

ITEM	Pitch	Mating
Standard	3.0	SLBF84
Alternate		

REV	DATE	MODIFICATION DESCRIPTION	CHANGE	APPROVE	ENGINEERING		DRAW	SCALE	FREE	PART NO.
					X.X	±0.40				
					X.XX	±0.25	DESIGN	UNIT	mm	SLBM84-024XXG1LZP190
					X.XXX	±0.15	CHECK	SIZE	A3	TITLE: 3.0mm弹片电池座 H=2.4/3.5 弹高1.9 正压 卧贴
					Angle	± 3°	APPROVE	SHEET	1/1	Customer NO.
					DIM	TOL		PROJ.	⊕ ⊗	

YLCCON
 Dongguan YILI Electronic Technology Co., Ltd
 Tel:
 FAX:
 E-mail:
[http:// www.ylconn.cn](http://www.ylconn.cn)