

HF

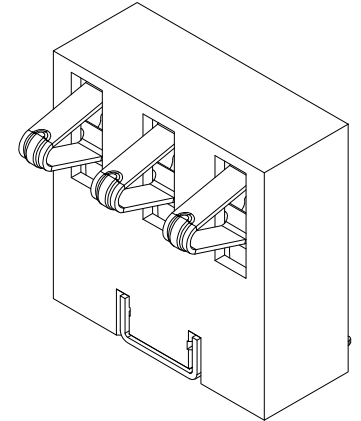
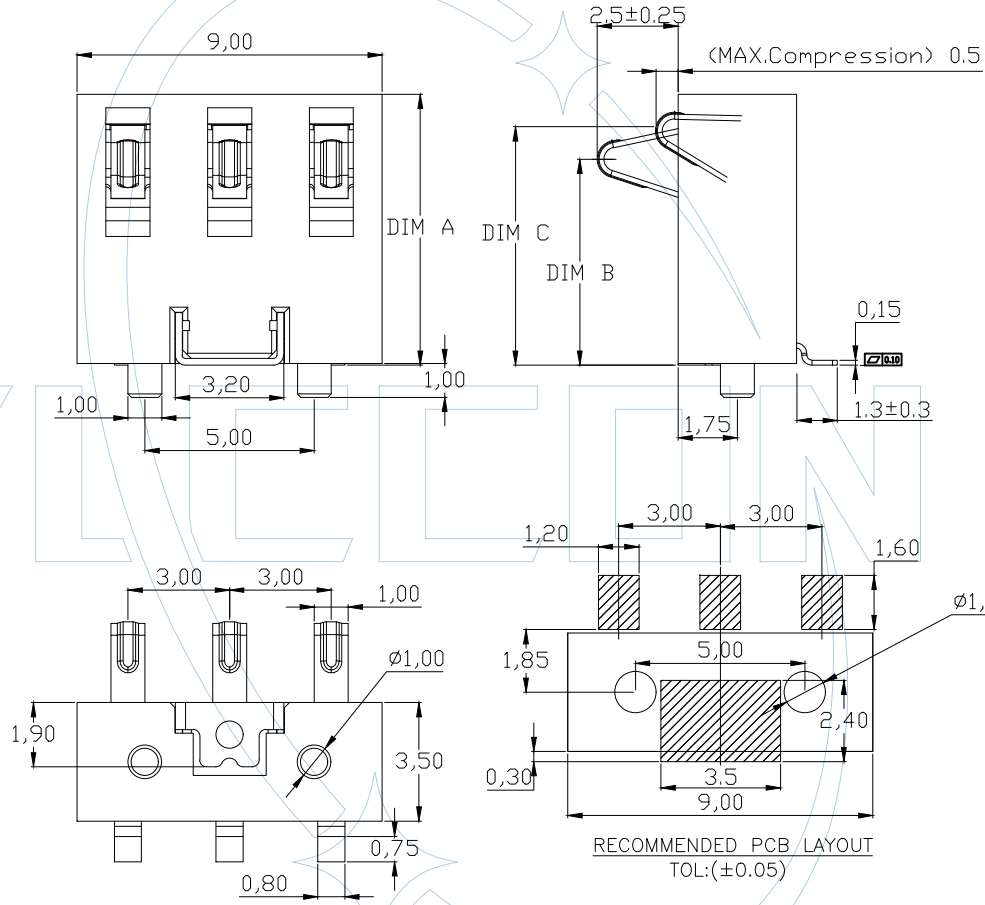


RoHS

Specification:

Current Rating: 2.0A;
 Current Voltage: 12V;
 Withstand Voltage: 500V;
 Contact Resistance: 30mΩ MAX
 Insulation: Resistance: 500MΩ;
 Working Temperature: -40°C~+85°C;
 Housing Material: LCP
 Contact Material: Phosphor Brass,
 Contact Area plated Au 3u"
 Life Time: Over 3000times;

规格型号	DIM A	DIM B	DIM C
SLBM84-08003G1LMS2501	8.0±0.15	5.9±0.3	6.9±0.3
SLBM84-09003G1LMS2501	9.0±0.15	6.9±0.3	7.9±0.3
SLBM84-10003G1LMS2501	10.0±0.15	7.9±0.3	8.9±0.3



Ordering Information

SLBM84-XXX XX XX LM X 250 1

Insulator Height: 8.0=080, 9.0=090, 10.0=100
 No. of Pins: 02-08
 Contact Plating: G0=Gold Flash, G1=3u"Gold, G2=5u"Gold, G3=10u"Gold, G4=15u"Gold, G5=30u"Gold
 Pressed method: S=Side press →
 Spring Height: 2.5=250

ITEM	Pitch	Mating
Standard	3.0	SLBF84
Alternate		

REV	DATE	MODIFICATION DESCRIPTION	CHANGE	APPROVE	ENGINEERING		DRAW	SCALE	FREE	PART NO.
					X.X	±0.40				
					X.XX	±0.25	DESIGN	UNIT	mm	SLBM84-XXXXXXLMS2501
					X.XXX	±0.15	CHECK	SIZE	A3	TITLE: 3.0mm弹片电池座 H=8/9/10 弹高2.5 侧压
					Angle	± 3°	APPROVE	SHEET	1/1	Customer NO.
					DIM	TOL		PROJ.	⊕ ⊗	

UNIT	mm
SIZE	A3
SHEET	1/1
PROJ.	⊕ ⊗

YLCCON
 Dongguan YILI Electronic Technology Co., Ltd
 Tel:
 FAX:
 E-mail:
<http://www.ylconn.cn>