

HF



RoHS

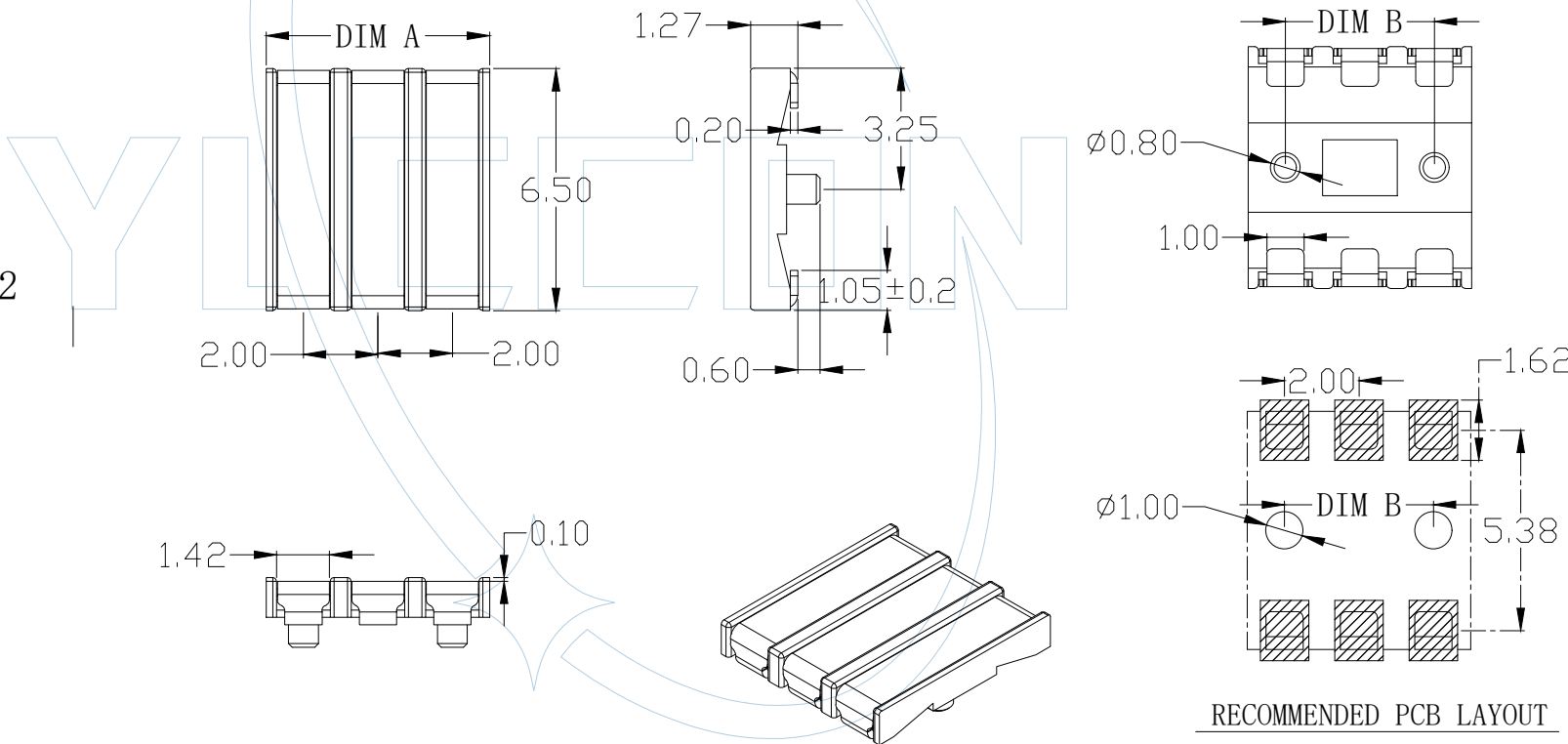
Specification:  
 Current Rating: 5.0A;  
 Current Voltage: 30V;  
 Withstand Voltage: 500V;  
 Contact Resistance: 30mΩ MAX  
 Insulation: Resistance: 500MΩ;  
 Working Temperature: -40°C~+85°C;  
 Housing Material: PA9T  
 Contact Material: C2680,  
 Contact plated :Au  
 Life Time: Over 10000times;

规格	DIM A	DIM B
SLBF82-12702XXL2	4.0	2.0
SLBF82-12703XXL2	6.0	4.0
SLBF82-12704XXL2	8.0	6.0
SLBF82-12705XXL2	10.0	8.0
SLBF82-12706XXL2	12.0	10.0
SLBF82-12707XXL2	14.0	12.0
SLBF82-12708XXL2	16.0	14.0

### Ordering Information

SLBF82-127 XX XX L 2

Insulator Height	No. of Pins	Contact Plating
1.7=17	02-08	G0=Gold Flash
2.6=26		G1=3u"gold
3.8=38		G2=5u"gold
		G3=10u"gold
		G4=15u"gold
		G5=30u"gold



RECOMMENDED PCB LAYOUT  
 TOP VIEW (. XX ± 0.05)

ITEM	Pitch	Mating
Standard	2.0	SLBM82
Alternate		

REV	DATE	MODIFICATION DESCRIPTION	CHANGE	APPROVE	ENGINEERING		DRAW	SCALE	FREE	PART NO.
					X.X	±0.40				
					X.XX	±0.25	DESIGN	UNIT	mm	SLBF82-12702XXL2
					X.XXX	±0.15	CHECK	SIZE	A3	TITLE: 2.0mm弹片电池座母座 H=1.27 带柱
					Angle	± 3°	APPROVE	SHEET	1/1	Customer NO.
					DIM	TOL		PROJ.	☒	

**YLCCON**  
 Dongguan YILI Electronic Technology Co., Ltd  
 Tel:  
 FAX:  
 E-mail:  
<http://www.ylconn.cn>