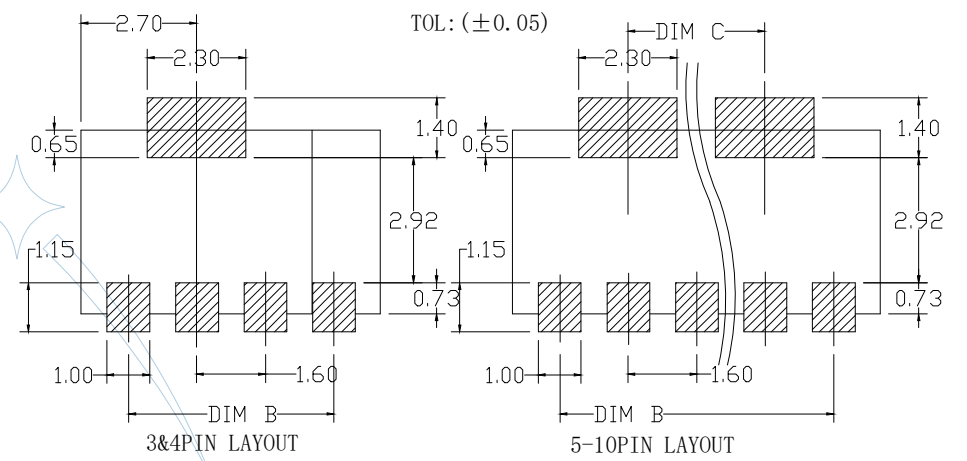




Specification:
 Current Rating: 2.0A;
 Current Voltage: 12V;
 Withstand Voltage: 500V;
 Contact Resistance: 30mΩ MAX
 Insulation: Resistance: 500MΩ;
 Working Temperature: -40℃~+85℃;
 Housing Material: LCP
 Contact Material: Phosphor Brass,
 Contact Area plated Au 3u"
 Life Time: Over 3000times;

SLBM81-1810G1LP1901	16.00	14.40	11.20
SLBM81-1809G1LP1901	14.40	12.80	9.60
SLBM81-1808G1LP1901	12.80	11.20	8.00
SLBM81-1807G1LP1901	11.20	9.60	6.40
SLBM81-1806G1LP1901	9.60	8.00	4.80
SLBM81-1805G1LP1901	8.00	6.40	3.20
SLBM81-1804G1LP1901	6.40	4.80	0
SLBM81-1803G1LP1901	4.80	3.20	0
BE FILLED	D1MA	D1MB	D1MC

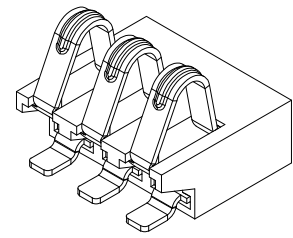
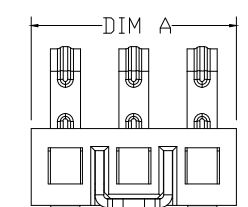
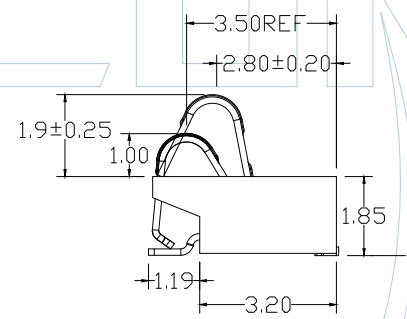
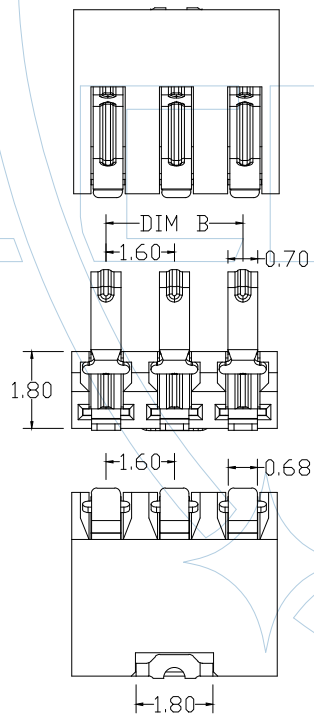
RECOMMENDED PCB LAYOUT
 TOL: (±0.05)



Ordering Information

SLBM81-18 XX XX L X XXX 1

Insulator Height: H=1.8, H=2.2
 No. of Pins: 02-08
 Contact Plating: G0=Gold Flash, G1=3u"Gold, G2=5u"Gold, G3=10u"Gold, G4=15u"Gold, G5=30u"Gold
 Pressed method: P=Positive press, S=Side press
 Spring Height: 1.9±0.190



ITEM	Pitch	Mating
Standard	1.6	SLBF
Alternate		

REV	DATE	MODIFICATION DESCRIPTION	CHANGE	APPROVE	ENGINEERING		DRAW	SCALE	FREE	PART NO.	TITLE:	Customer NO.
					X.X	±0.40						
					X.XX	±0.25	DESIGN	UNIT	mm	SLBM81-1810G1LP1901	1.6mm弹片电池座 H=1.8 弹高1.9 正压	
					X.XXX	±0.15	CHECK	SIZE	A3			
					Angle	± 3°	APPROVE	SHEET	1/1			
					DIM	TOL		PROJ.	☒			

YLCCON
 Dongguan YILI Electronic Technology Co., Ltd
 Tel:
 FAX:
 E-mail:
<http://www.ylconn.cn>